



Teachingninja.in

ISRO IPRC Tech Asst. (Electrical) 20 Sep 2023

- ★ Latest Govt Job updates
- ★ Private Job updates
- ★ Free Mock tests available

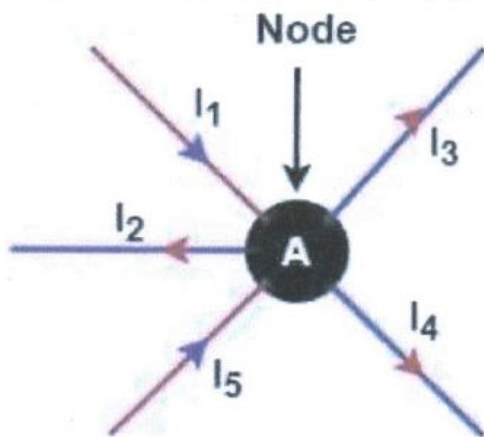
Visit - teachingninja.in

ISRO PROPULSION COMPLEX

Participant ID	
Participant Name	
Test Center Name	
Test Date	20/09/2023
Test Time	8:30 AM - 10:30 AM
Subject	Technical Assistant Electrical

Section : Technical Assistant Electrical

Q.1 Determine current I_1 if $I_2 = 5A$, $I_3 = 10A$, $I_4 = 15A$ and $I_5 = 3A$



- a) 30A
- b) 33A
- c) 27A
- d) 3A

Ans 1. (a)
 2. (b)
 3. (c)
 4. (d)

Question ID : 9941601522

Option 1 ID : 9941606085

Option 2 ID : 9941606086

Option 3 ID : 9941606087

Option 4 ID : 9941606088

Status : Answered

Chosen Option : 3

Q.2 Which of the following is considered an amplifier figure of merit?

- A) Beta (β)
- B) Alpha (α)
- C) Temperature
- D) Gain-bandwidth product

Ans 1. (a)
 2. (b)
 3. (c)
 4. (d)

Question ID : 9941601587
Option 1 ID : 9941606345
Option 2 ID : 9941606346
Option 3 ID : 9941606347
Option 4 ID : 9941606348
Status : Answered
Chosen Option : 2

Q.3 For the purpose of starting of an induction motor, Star/Delta switch is an equivalent to an auto transformer of ratio

- a) 33.3%
- b) 57.7%
- c) 73.2%
- d) 100%

Ans 1. (a)
 2. (b)
 3. (c)
 4. (d)

Question ID : 9941601534
Option 1 ID : 9941606133
Option 2 ID : 9941606134
Option 3 ID : 9941606135
Option 4 ID : 9941606136
Status : Answered
Chosen Option : 4



Q.4

A balanced three phase system consists of

- a) Zero sequence currents
- b) Positive sequence currents only
- c) Negative and zero sequence currents only
- d) Zero, Negative and positive sequence currents only

- Ans
- 1. (a)
 - 2. (b)
 - 3. (c)
 - 4. (d)

Question ID : 9941601556

Option 1 ID : 9941606221

Option 2 ID : 9941606222

Option 3 ID : 9941606223

Option 4 ID : 9941606224

Status : Answered

Chosen Option : 1

Q.5

When the same signal is applied to both inverting and non-inverting input terminals of an ideal op-amp, the output voltage would be

- A) Offset voltage
- B) 0 V
- C) +VSAT
- D) -VSAT

- Ans
- 1. (a)
 - 2. (b)
 - 3. (c)
 - 4. (d)

Question ID : 9941601585

Option 1 ID : 9941606337

Option 2 ID : 9941606338

Option 3 ID : 9941606339

Option 4 ID : 9941606340

Status : Not Attempted and
Marked For Review

Chosen Option : -



Teachingninja.in

Q.6 The disc of an instrument using eddy current damping should be of

- A) conducting and magnetic material
- B) non-conducting and magnetic material
- C) conducting and non-magnetic material
- D) none of the above

- Ans
- 1. (a)
 - 2. (b)
 - 3. (c)
 - 4. (d)

Question ID : 9941601544
Option 1 ID : 9941606173
Option 2 ID : 9941606174
Option 3 ID : 9941606175
Option 4 ID : 9941606176
Status : Answered
Chosen Option : 3

Q.7 A three phase, 33kV oil circuit breaker is rated 1200A, 200MVA, 3s. The symmetrical breaking current is

- a) 1200A
- b) 3600A
- c) 35kA
- d) 104.8kA

- Ans
- 1. (a)
 - 2. (b)
 - 3. (c)
 - 4. (d)

Question ID : 9941601557
Option 1 ID : 9941606225
Option 2 ID : 9941606226
Option 3 ID : 9941606227
Option 4 ID : 9941606228
Status : Answered
Chosen Option : 4



Q.8 What is the function of a rectifier in power electronics?

- a. To convert DC to AC
- b. To convert AC to DC
- c. To regulate voltage
- d. To amplify current

Ans 1. (a)

2. (b)

3. (c)

4. (d)

Question ID : 9941601572

Option 1 ID : 9941606285

Option 2 ID : 9941606286

Option 3 ID : 9941606287

Option 4 ID : 9941606288

Status : Answered

Chosen Option : 2

Q.9

The illumination at a surface due to a source of light placed at a distance "d" from the surface varies as

- a) $1/d^2$
- b) $1/d$
- c) d
- d) d^2

Ans 1. (a)

2. (b)

3. (c)

4. (d)



Question ID : 9941601565

Option 1 ID : 9941606257

Option 2 ID : 9941606258

Option 3 ID : 9941606259

Option 4 ID : 9941606260

Status : Answered

Chosen Option : 2

Q.10 An ideal OPAMP has a gain of 100. The input is connected to inverting end and the input resistance is $1\text{K}\Omega$. The feedback resistance is

- A) $1000\text{K}\Omega$
- B) $100\text{K}\Omega$
- C) 100Ω
- D) $10000\text{K}\Omega$

Ans 1. (a)
 2. (b)
 3. (c)
 4. (d)

Question ID : 9941601551
Option 1 ID : 9941606201
Option 2 ID : 9941606202
Option 3 ID : 9941606203
Option 4 ID : 9941606204
Status : Not Answered
Chosen Option : -

Q.11 Which one of the following device is required for interfacing analog sensor with micro processor?

- a) Stack pointer
- b) address bus
- c) Analog to digital converter
- d) Control bus

Ans 1. (a)
 2. (b)
 3. (c)
 4. (d)

Question ID : 9941601582
Option 1 ID : 9941606325
Option 2 ID : 9941606326
Option 3 ID : 9941606327
Option 4 ID : 9941606328
Status : Answered
Chosen Option : 2



Q.12 Kirchhoff's Current Law KCL cannot be applied to following cases
a) distributed element model of transmission line.
b) high-frequency circuit.
c) both a and b
d) none of the above.

- Ans 1. (a)
 2. (b)
 3. (c)
 4. (d)

Question ID : 9941601525
Option 1 ID : 9941606097
Option 2 ID : 9941606098
Option 3 ID : 9941606099
Option 4 ID : 9941606100
Status : Answered
Chosen Option : 1

Q.13 The Unit of m.m.f in
a) Volt
b) Ampere per turns
c) Ampere turns
d) Columbs

- Ans 1. (a)
 2. (b)
 3. (c)
 4. (d)

Question ID : 9941601559
Option 1 ID : 9941606233
Option 2 ID : 9941606234
Option 3 ID : 9941606235
Option 4 ID : 9941606236
Status : Answered
Chosen Option : 3



Q.14

A chopper may be thought as a

- a) DC equivalent of an AC transformer
- b) Inverter
- c) Rectifier
- d) Motor

Ans 1. (a)

2. (b)

3. (c)

4. (d)

Question ID : 9941601571

Option 1 ID : 9941606281

Option 2 ID : 9941606282

Option 3 ID : 9941606283

Option 4 ID : 9941606284

Status : Answered

Chosen Option : 1

Q.15

Percentage of resistance and percentage of reactance of a transformer are 5% and 4% respectively. What is the voltage regulation at unity power factor?

a) 2.4%

b) 5%

c) 9%

d) None of the above

Ans 1. (a)

2. (b)

3. (c)

4. (d)

Question ID : 9941601530

Option 1 ID : 9941606117

Option 2 ID : 9941606118

Option 3 ID : 9941606119

Option 4 ID : 9941606120

Status : Not Answered

Chosen Option : -



Q.16

The semiconductor device used for speed control of single phase induction motor in domestic use is

- a) SCR
- b) Power transistor
- c) TRIAC
- d) MOSFET

- Ans
- 1. (a)
 - 2. (b)
 - 3. (c)
 - 4. (d)

Question ID : 9941601564

Option 1 ID : 9941606253

Option 2 ID : 9941606254

Option 3 ID : 9941606255

Option 4 ID : 9941606256

Status : Answered

Chosen Option : 3

Q.17

If there are three nodes in a circuit, then the number of nodal equations is

- A. 1
- B. 3
- C. 4
- D. 2

- Ans
- 1. (a)
 - 2. (b)
 - 3. (c)
 - 4. (d)

Question ID : 9941601521

Option 1 ID : 9941606081

Option 2 ID : 9941606082

Option 3 ID : 9941606083

Option 4 ID : 9941606084

Status : Answered

Chosen Option : 4



Q.18 In the transfer characteristics of a MOSFET, the threshold voltage is the measure of the

- a) minimum voltage to switch off device
- b) minimum voltage to induce a n-channel/p-channel for conduction
- c) minimum voltage to turn off the device
- d) none of the above mentioned is true

- Ans
- 1. (a)
 - 2. (b)
 - 3. (c)
 - 4. (d)

Question ID : 9941601574
Option 1 ID : 9941606293
Option 2 ID : 9941606294
Option 3 ID : 9941606295
Option 4 ID : 9941606296
Status : Answered
Chosen Option : 2

Q.19 Which of the following best defines Nyquist frequency?

- A) The frequency if resonance for the filtering circuit
- B) The second harmonic
- C) The lower frequencies which are to be sampled
- D) The highest frequency component of a given analog signal

- Ans
- 1. (a)
 - 2. (b)
 - 3. (c)
 - 4. (d)

Question ID : 9941601549
Option 1 ID : 9941606193
Option 2 ID : 9941606194
Option 3 ID : 9941606195
Option 4 ID : 9941606196
Status : Not Answered
Chosen Option : -



Q.20 लॉरेंट्ज़ विधि में ओम के निरपेक्ष मापन के लिए दो मापन किए जाते हैं, एक तो एक दिशा में धारा के साथ और दूसरा विपरीत दिशा में धारा के साथ। यह ----- के लिए था।

- a) तापीय emfs और पृथ्वी के चुंबक क्षेत्र दोनों के प्रभाव के निरसन करने
- b) कुंडली और डिस्क दोनों पर तापमान के प्रभाव के निरसन करने
- c) तापीय emfs के प्रभाव के निरसन करने
- d) पृथ्वी के चुंबक क्षेत्र के प्रभाव के निरसन करने

Ans 1. (a)

2. (b)

3. (c)

4. (d)

Question ID : 9941601545

Option 1 ID : 9941606177

Option 2 ID : 9941606178

Option 3 ID : 9941606179

Option 4 ID : 9941606180

Status : Answered

Chosen Option : 2

Q.21 For a P-N diode, the number of minority carriers crossing the junction depends on

- A) Potential barrier
- B) Forward bias voltage
- C) Rate of thermal generation of electron hole pairs
- D) None of the above

Ans 1. (a)

2. (b)

3. (c)

4. (d)

Question ID : 9941601592

Option 1 ID : 9941606365

Option 2 ID : 9941606366

Option 3 ID : 9941606367

Option 4 ID : 9941606368

Status : Answered

Chosen Option : 1



Q.22 Assertion (A): In p-n-p transistor collector current is termed negative.
Reason (R): In p-n-p transistor holes are majority carriers.

- A) Both A and R are true and R is correct explanation of A
- B) Both A and R are true but R is not a correct explanation of A
- C) A is true but R is false
- D) A is false but R is true

Ans 1. (a)
 2. (b)
 3. (c)
 4. (d)

Question ID : 9941601589
Option 1 ID : 9941606353
Option 2 ID : 9941606354
Option 3 ID : 9941606355
Option 4 ID : 9941606356
Status : Answered
Chosen Option : 1

Q.23 The ratio of average load over a designated period to the peak load demand occurring in that period is known as

- A) Power factor
- B) Ratchet rate
- C) Load factor
- D) Production factor

Ans 1. (a)
 2. (b)
 3. (c)
 4. (d)

Question ID : 9941601576
Option 1 ID : 9941606301
Option 2 ID : 9941606302
Option 3 ID : 9941606303
Option 4 ID : 9941606304
Status : Answered
Chosen Option : 3



Q.24 दो सोपानित वोल्टता प्रवर्धकों की कुल डेसिबल वोल्टता लब्धि होगी जहां व्यक्तिगत वोल्टता लब्धि 10 और 100 है?

- (A) 1000
- (B) 800
- (C) 60
- (D) 20

Ans 1. (a)
 2. (b)
 3. (c)
 4. (d)

Question ID : 9941601590

Option 1 ID : 9941606357

Option 2 ID : 9941606358

Option 3 ID : 9941606359

Option 4 ID : 9941606360

Status : Answered

Chosen Option : 1

Q.25 पावर इलेक्ट्रॉनिक्स में उच्च-शक्ति, उच्च आवृत्ति DC-AC प्रतीपकों के लिए आम तौर पर प्रयुक्त सांस्थितिकी निम्नलिखित में से कौन-सी है?

- a) अर्ध-सेतु प्रतीपक
- b) पूर्ण-सेतु प्रतीपक
- c) H-सेतु प्रतीपक
- d) कैसकेडित बहुस्तरीय प्रतीपक

Ans 1. (a)
 2. (b)
 3. (c)
 4. (d)

Question ID : 9941601573

Option 1 ID : 9941606289

Option 2 ID : 9941606290

Option 3 ID : 9941606291

Option 4 ID : 9941606292

Status : Answered

Chosen Option : 4

Q.26 Out of the following, which one is not a non conventional source of energy.

- a) Tidal Energy
- b) Geo thermal energy
- c) Thermal Energy
- d) Wind energy

- Ans
- 1. (a)
 - 2. (b)
 - 3. (c)
 - 4. (d)

Question ID : 9941601555
Option 1 ID : 9941606217
Option 2 ID : 9941606218
Option 3 ID : 9941606219
Option 4 ID : 9941606220
Status : Answered
Chosen Option : 3

Q.27 In Early effect

- A) Increase in the magnitude of collector voltage increases space charge width at the input junction of a BJT
- B) Increase in the magnitude of Emitter base voltage increases space charge width of output junction of a BJT
- C) Increase in the magnitude of collector voltage increases the space charge width of the output junction of a BJT
- D) Decrease in the magnitude of Emitter base voltage increases space charge width of output junction of BJT

- Ans
- 1. (a)
 - 2. (b)
 - 3. (c)
 - 4. (d)

Question ID : 9941601591
Option 1 ID : 9941606361
Option 2 ID : 9941606362
Option 3 ID : 9941606363
Option 4 ID : 9941606364
Status : Answered
Chosen Option : 2

- Q.28 The output of X-NOR gate is HIGH only when
- a) Inputs are COMPLEMENT of each other
 - b) Inputs are SAME
 - c) One input is HIGH
 - d) One input is LOW

Ans 1. (a)
 2. (b)
 3. (c)
 4. (d)

Question ID : 9941601594
Option 1 ID : 9941606373
Option 2 ID : 9941606374
Option 3 ID : 9941606375
Option 4 ID : 9941606376
Status : Answered
Chosen Option : 2

Q.29 What is data acquisition system?

- A) Attenuates the signal
- B) Removes noise
- C) System used for data processing, conversion and transmission
- D) Boosts the signal

Ans 1. (a)
 2. (b)
 3. (c)
 4. (d)



Question ID : 9941601546
Option 1 ID : 9941606181
Option 2 ID : 9941606182
Option 3 ID : 9941606183
Option 4 ID : 9941606184
Status : Answered
Chosen Option : 3

Q.30

The efficacy of lamp is measure in

- a) Lux / Watt
- b) Lumens/Watt
- c) Candle per watt
- d)Foot candle per watt

- Ans
- 1. (a)
 - 2. (b)
 - 3. (c)
 - 4. (d)

Question ID : 9941601558

Option 1 ID : 9941606229

Option 2 ID : 9941606230

Option 3 ID : 9941606231

Option 4 ID : 9941606232

Status : Answered

Chosen Option : 2

Q.31 $5 * 1024 * 1024$ bytes is same as?

- a) 5 kilobytes
- b) 5 megabytes
- c) 5 megabits
- d) 5 kilobits

- Ans
- 1. (a)
 - 2. (b)
 - 3. (c)
 - 4. (d)

Question ID : 9941601579

Option 1 ID : 9941606313

Option 2 ID : 9941606314

Option 3 ID : 9941606315

Option 4 ID : 9941606316

Status : Answered

Chosen Option : 1



Teachingninja.in

Q.32

Static electricity is produced by

- a) Chemical reaction
- b) Friction
- c) conduction
- d) Chemical reaction & conduction

- Ans
- 1. (a)
 - 2. (b)
 - 3. (c)
 - 4. (d)

Question ID : 9941601561

Option 1 ID : 9941606241

Option 2 ID : 9941606242

Option 3 ID : 9941606243

Option 4 ID : 9941606244

Status : Answered

Chosen Option : 2

Q.33

The starting torque of a 3- phase induction motor varies with

- a) V^2
- b) V
- c) $1/V$
- d) V^3

- Ans
- 1. (a)
 - 2. (b)
 - 3. (c)
 - 4. (d)

Question ID : 9941601535

Option 1 ID : 9941606137

Option 2 ID : 9941606138

Option 3 ID : 9941606139

Option 4 ID : 9941606140

Status : Answered

Chosen Option : 1



Teachingninja.in

Q.34

अग्र बायस p-n डायोड का गतिक प्रतिरोध

- A) धारा के साथ व्युत्क्रम रूप से परिवर्ती है
- B) धारा के साथ प्रत्यक्ष रूप से परिवर्ती है
- C) स्थिरांक है
- D) दोनों में से स्थिरांक है या धारा के साथ प्रत्यक्ष रूप से परिवर्ती है

Ans 1. (a)

2. (b)

3. (c)

4. (d)

Question ID : 9941601593

Option 1 ID : 9941606369

Option 2 ID : 9941606370

Option 3 ID : 9941606371

Option 4 ID : 9941606372

Status : Answered

Chosen Option : 1

Q.35 Even parity code for the binary code 001 is

- A. 1
- B. 0
- C. 00
- D. E

Ans 1. (a)

2. (b)

3. (c)

4. (d)

Question ID : 9941601596

Option 1 ID : 9941606381

Option 2 ID : 9941606382

Option 3 ID : 9941606383

Option 4 ID : 9941606384

Status : Answered

Chosen Option : 1

Q.36

Which of the following are the variable losses in a rotating machine

- a) Core loss and mechanical loss
- b) Core loss and stray load loss
- c) Copper loss and core loss
- d) Copper loss and stray load loss

- Ans
- 1. (a)
 - 2. (b)
 - 3. (c)
 - 4. (d)

Question ID : 9941601566

Option 1 ID : 9941606261

Option 2 ID : 9941606262

Option 3 ID : 9941606263

Option 4 ID : 9941606264

Status : Answered

Chosen Option : 4

Q.37

आवृत्ति के लिए अत्यधिक स्थायी प्राथमिक परमाणु मानक ----- है।

- a) सीज़ियम बीम मानक
- b) हाइड्रोजन मास्टर मानक
- c) क्वार्टज़ मानक
- d) रूबिडियम वाष्प मानक

- Ans
- 1. (a)
 - 2. (b)
 - 3. (c)
 - 4. (d)



Question ID : 9941601543

Option 1 ID : 9941606169

Option 2 ID : 9941606170

Option 3 ID : 9941606171

Option 4 ID : 9941606172

Status : Not Attempted and
Marked For Review

Chosen Option : -

Q.38

निम्नलिखित माइक्रोप्रोसेसर प्रोग्राम में, लूप AGAIN _____ निष्पादित किया जाएगा

MOV A, 0(H)

MOVR1, A (H)

AGAIN: ADD A, 05(H)

DJNZ R1, AGAIN

MOVR2,A

- a) 5 बार
- b) 0 बार
- c) 11 बार
- d) 10 बार

- Ans
- 1. (a)
 - 2. (b)
 - 3. (c)
 - 4. (d)

Question ID : 9941601583

Option 1 ID : 9941606329

Option 2 ID : 9941606330

Option 3 ID : 9941606331

Option 4 ID : 9941606332

Status : Answered

Chosen Option : 1

Q.39

Cascading of which of following is possible?

- A. Multiplexer only
- B. De multiplexer only
- C. Multiplexer & De multiplexer
- D. none of the above

- Ans
- 1. (a)
 - 2. (b)
 - 3. (c)
 - 4. (d)

Question ID : 9941601599

Option 1 ID : 9941606393

Option 2 ID : 9941606394

Option 3 ID : 9941606395

Option 4 ID : 9941606396

Status : Answered

Chosen Option : 4

Q.40

A Lightning arrester connected the line and earth in power system is

- a) Protects the terminal equipment against travelling surges
- b) Protects the transmission line against direct lightning
- c) Suppresses high frequency oscillations in the line
- d) Reflects back the travelling wave approaching it

Ans 1. (a)

2. (b)

3. (c)

4. (d)

Question ID : 9941601562

Option 1 ID : 9941606245

Option 2 ID : 9941606246

Option 3 ID : 9941606247

Option 4 ID : 9941606248

Status : Answered

Chosen Option : 2

Q.41

On increasing the distance between the plates of a variable capacitor, the displacement capacitance characteristics changes _____

- A) Proportionally
- B) Linearly
- C) Exceptionally
- D) Hyperbolically

Ans 1. (a)

2. (b)

3. (c)

4. (d)

Question ID : 9941601550

Option 1 ID : 9941606197

Option 2 ID : 9941606198

Option 3 ID : 9941606199

Option 4 ID : 9941606200

Status : Answered

Chosen Option : 4



Q.42 An ammeter has a range I with resistance R_o , which of the following resistance can be connected in series with it to decrease its range to I/n

- A) $R_o(n-1)$
- B) R_o/n
- C) $R_o/(n+1)$
- D) $R_o(n+1)$

Ans 1. (a)

2. (b)

3. (c)

4. (d)

Question ID : 9941601548

Option 1 ID : 9941606189

Option 2 ID : 9941606190

Option 3 ID : 9941606191

Option 4 ID : 9941606192

Status : Answered

Chosen Option : 1

Q.43 Power diode is _____

- a) a three terminal semiconductor device
- b) a two terminal semiconductor device
- c) a four terminal semiconductor device
- d) a three terminal analog device

Ans 1. (a)

2. (b)

3. (c)

4. (d)



Question ID : 9941601569

Option 1 ID : 9941606273

Option 2 ID : 9941606274

Option 3 ID : 9941606275

Option 4 ID : 9941606276

Status : Answered

Chosen Option : 2

Q.44 The following is not a part of microprocessor architecture?

- a) address bus, data bus and control bus
- b) registers
- c) program counter
- d) DMA controller

- Ans
- 1. (a)
 - 2. (b)
 - 3. (c)
 - 4. (d)

Question ID : 9941601581
Option 1 ID : 9941606321
Option 2 ID : 9941606322
Option 3 ID : 9941606323
Option 4 ID : 9941606324
Status : Answered
Chosen Option : 2

Q.45 For a NPN bipolar transistor, what is the main stream of current in the base region?

- A) Drift of holes
- B) Diffusion of holes
- C) Drift of electrons
- D) Diffusion of electrons

- Ans
- 1. (a)
 - 2. (b)
 - 3. (c)
 - 4. (d)

Question ID : 9941601588
Option 1 ID : 9941606349
Option 2 ID : 9941606350
Option 3 ID : 9941606351
Option 4 ID : 9941606352
Status : Answered
Chosen Option : 2



Q.46 The resistance of a bulb filament is 100Ω at a temperature of 100°C . If its temperature co-efficient of resistance is $0.002 \text{ per}^\circ\text{C}$, its resistance will become 200 ohm at a temperature of?

- A. 100°C
- B. 200°C
- C. 300°C
- D. 600°C

Ans 1. (a)
 2. (b)
 3. (c)
 4. (d)

Question ID : 9941601527

Option 1 ID : 9941606105

Option 2 ID : 9941606106

Option 3 ID : 9941606107

Option 4 ID : 9941606108

Status : Answered

Chosen Option : 4

Q.47 नियत निर्गम वोल्टता पर N- चैनल संवृद्धीय मॉफसेट में

- A) शून्य गेट वोल्टता में निर्गम धारा अधिकतम है और यह ऋणात्मक गेट वोल्टता प्रयुक्त होने पर घटती है
- B) शून्य गेट वोल्टता में निर्गम धारा शून्य है और यह धनात्मक गेट वोल्टता प्रयुक्त होने पर बढ़ती है
- C) शून्य गेट वोल्टता में निर्गम धारा का परिमित मान है और यह उचित ध्रुवता के वोल्टता प्रयुक्त होने के साथ बढ़ती या घटती है
- D) गेट के ऋणात्मक बायस वोल्टता के लिए निर्गम धारा शून्य है और परिमाण में ऋणात्मक गेट बायस के घटने से इसमें वृद्धि होती है

Ans 1. (a)
 2. (b)
 3. (c)
 4. (d)

Question ID : 9941601584

Option 1 ID : 9941606333

Option 2 ID : 9941606334

Option 3 ID : 9941606335

Option 4 ID : 9941606336

Status : Not Answered

Chosen Option : -

Q.48 Hard disk is an example of :
a) primary memory
b) Cache memory
c) Read only memory
d) Secondary storage memory

Ans 1. (a)
 2. (b)
 3. (c)
 4. (d)

Question ID : 9941601580
Option 1 ID : 9941606317
Option 2 ID : 9941606318
Option 3 ID : 9941606319
Option 4 ID : 9941606320
Status : Answered
Chosen Option : 4

Q.49 The reduction of utility load primarily during peak demand is known as

- A) Peak clipping
- B) Load shifting
- C) Valley filling
- D) MTP analysis

Ans 1. (a)
 2. (b)
 3. (c)
 4. (d)



Question ID : 9941601578
Option 1 ID : 9941606309
Option 2 ID : 9941606310
Option 3 ID : 9941606311
Option 4 ID : 9941606312
Status : Answered
Chosen Option : 3

Q.50

प्रत्यावर्तित्र के वोल्टता नियमन के प्रतिशत की गणना कीजिए जब उसकी टर्मिनल वोल्टता पूर्ण भार पर 210V से बिना भार पर 220V बढ़ती है

- a) 4.76%
- b) 4.65%
- c) 4.54%
- d) 3.75%

Ans 1. (a)

2. (b)

3. (c)

4. (d)

Question ID : 9941601560

Option 1 ID : 9941606237

Option 2 ID : 9941606238

Option 3 ID : 9941606239

Option 4 ID : 9941606240

Status : Answered

Chosen Option : 3

Q.51

The efficiency of variable speed drives generally

- A) Decreases with decrease in speed
- B) Increases with decrease in speed
- C) Remains constant with change in speed
- D) None of the above

Ans 1. (a)

2. (b)

3. (c)

4. (d)



Question ID : 9941601577

Option 1 ID : 9941606305

Option 2 ID : 9941606306

Option 3 ID : 9941606307

Option 4 ID : 9941606308

Status : Answered

Chosen Option : 1

Q.52 What is the nature of resistance to light intensity graph of an LDR (Light dependent resistor)?

- A) Increasing
- B) Decreasing
- C) Parabolic
- D) Constant

Ans 1. (a)
 2. (b)
 3. (c)
 4. (d)

Question ID : 9941601547
Option 1 ID : 9941606185
Option 2 ID : 9941606186
Option 3 ID : 9941606187
Option 4 ID : 9941606188
Status : Answered
Chosen Option : 3

Q.53 At 50Hz operation, a single phase transformer has hysteresis loss of 200W and eddy current loss of 100W, its core loss at 60Hz operation will be....

- a) 432W
- b) 408W
- c) 384W
- d) 360W

Ans 1. (a)
 2. (b)
 3. (c)
 4. (d)



Question ID : 9941601537
Option 1 ID : 9941606145
Option 2 ID : 9941606146
Option 3 ID : 9941606147
Option 4 ID : 9941606148
Status : Answered
Chosen Option : 3

Q.54

In a Weston frequency meter, the magnetic axes of the two fixed coils are

- A) Parallel
- B) Perpendicular
- C) Inclined at 60°
- D) Inclined at 120°

- Ans
- 1. (a)
 - 2. (b)
 - 3. (c)
 - 4. (d)

Question ID : 9941601541
Option 1 ID : 9941606161
Option 2 ID : 9941606162
Option 3 ID : 9941606163
Option 4 ID : 9941606164
Status : Answered
Chosen Option : 2

Q.55

In a 3-phase power measurement by two wattmeter method, both the watt meters had identical readings. The power factor of the load was

- A) Unity
- B) 0.8 lagging
- C) 0.8 leading
- D) Zero

- Ans
- 1. (a)
 - 2. (b)
 - 3. (c)
 - 4. (d)

Question ID : 9941601540
Option 1 ID : 9941606157
Option 2 ID : 9941606158
Option 3 ID : 9941606159
Option 4 ID : 9941606160
Status : Answered
Chosen Option : 1



Q.56

In a DC Motor, the windage loss is proportional to

- a) Supply voltage
- b) Square of supply voltage
- c) Square of flux density
- d) Square of armature speed

- Ans
- 1. (a)
 - 2. (b)
 - 3. (c)
 - 4. (d)

Question ID : 9941601533

Option 1 ID : 9941606129

Option 2 ID : 9941606130

Option 3 ID : 9941606131

Option 4 ID : 9941606132

Status : Answered

Chosen Option : 4

Q.57

In fuel cell, electrical energy is produced by

- a) Reaction of hydrogen with oxygen
- b) Thermionic action
- c) Combustion of fuel in the absence of oxygen
- d) None of the above

- Ans
- 1. (a)
 - 2. (b)
 - 3. (c)
 - 4. (d)

Question ID : 9941601554

Option 1 ID : 9941606213

Option 2 ID : 9941606214

Option 3 ID : 9941606215

Option 4 ID : 9941606216

Status : Answered

Chosen Option : 2



Q.58

A single phase transformer when supplied from 220V, 50Hz has an eddy current loss of 50W. If the transformer is connected to a voltage of 330V, 50Hz, the eddy current loss will be

- a) 168.75W
- b) 112.5W
- c) 75W
- d) 50W

- Ans
- 1. (a)
 - 2. (b)
 - 3. (c)
 - 4. (d)

Question ID : 9941601539
Option 1 ID : 9941606153
Option 2 ID : 9941606154
Option 3 ID : 9941606155
Option 4 ID : 9941606156
Status : Answered
Chosen Option : 3

Q.59

A 400V, 15kW, 4 poles, 50Hz, Y- connected induction motor has full load slip of 4%. The output torque of the machine at full load is

- a) 1.66 Nm
- b) 95.50 Nm
- c) 99.47 Nm
- d) 624.73

- Ans
- 1. (a)
 - 2. (b)
 - 3. (c)
 - 4. (d)



Question ID : 9941601536
Option 1 ID : 9941606141
Option 2 ID : 9941606142
Option 3 ID : 9941606143
Option 4 ID : 9941606144
Status : Answered
Chosen Option : 3

Q.60 To obtain good gain stability in a negative feedback amplifier AB is (whereas, A = Open Loop Gain and B = Feedback Factor)

- A) Equal to 1
- B) Zero
- C) Very much greater than 1
- D) Less than 1

Ans 1. (a)

2. (b)

3. (c)

4. (d)

Question ID : 9941601586

Option 1 ID : 9941606341

Option 2 ID : 9941606342

Option 3 ID : 9941606343

Option 4 ID : 9941606344

Status : Answered

Chosen Option : 4

Q.61 Ohms law is not applicable to

- a) Unilateral networks
- b) Non-linear devices
- c) Both (a) and (b)
- d) Resistive network

Ans 1. (a)

2. (b)

3. (c)

4. (d)

Question ID : 9941601526

Option 1 ID : 9941606101

Option 2 ID : 9941606102

Option 3 ID : 9941606103

Option 4 ID : 9941606104

Status : Answered

Chosen Option : 3

Q.62

एक ट्रांसफॉर्मर में अगर लोहे की हानियाँ और तँबे की हानियाँ क्रमशः 40.5kW और 50kW हैं, तो किस आंशिक भार पर अधिकतम दक्षता होगी?

- a) 0.8
- b) 0.57
- c) 0.70
- d) 0.9

- Ans
- 1. (a)
 - 2. (b)
 - 3. (c)
 - 4. (d)

Question ID : 9941601531

Option 1 ID : 9941606121

Option 2 ID : 9941606122

Option 3 ID : 9941606123

Option 4 ID : 9941606124

Status : Answered

Chosen Option : 2

Q.63

रेल इंजन में कैन्टो सिस्टम का कार्य -----

- a) एकल-कला को त्रिकला में परिवर्तित करता है।
- b) एकल-कला को DC में परिवर्तित करता है।
- c) त्रि-कला को DC में परिवर्तित करता है।
- d) त्रि-कला को 1 कला में परिवर्तित करता है।

- Ans
- 1. (a)
 - 2. (b)
 - 3. (c)
 - 4. (d)

Question ID : 9941601567

Option 1 ID : 9941606265

Option 2 ID : 9941606266

Option 3 ID : 9941606267

Option 4 ID : 9941606268

Status : Answered

Chosen Option : 1

Q.64

Choose the correct statement(s)

- i) The gate circuit impedance of MOSFET is higher than that of a BJT
 - ii) The gate circuit impedance of MOSFET is lower than that of a BJT
 - iii) The MOSFET has higher switching losses than that of a BJT
 - iv) The MOSFET has lower switching losses than that of a BJT
- a) Both i & ii
 - b) Both ii & iv
 - c) Both i & iv
 - d) Only ii

- Ans
- 1. (a)
 - 2. (b)
 - 3. (c)
 - 4. (d)

Question ID : 9941601575

Option 1 ID : 9941606297

Option 2 ID : 9941606298

Option 3 ID : 9941606299

Option 4 ID : 9941606300

Status : Answered

Chosen Option : 2



Teachingninja

Q.65 What is the Truth table for logical NAND gate

A.

A	B	Output
0	0	0
0	1	0
1	0	0
1	1	1

B.

A	B	Output
0	0	0
0	1	1
1	0	1
1	1	1

C.

A	B	Output
0	0	1
0	1	1
1	0	1
1	1	0

D.

A	B	Output
0	0	1
0	1	0
1	0	0
1	1	1

- Ans 1. (a)
 2. (b)
 3. (c)
 4. (d)

Question ID : 9941601595

Option 1 ID : 9941606377

Option 2 ID : 9941606378

Option 3 ID : 9941606379

Option 4 ID : 9941606380

Status : Answered

Chosen Option : 3

Q.66

Core of the large power transformer are made from

- a) Hot rolled steel
- b) Cold rolled non grain oriented steel
- c) Cold rolled grain oriented steel
- d) Ferrite

- Ans
- 1. (a)
 - 2. (b)
 - 3. (c)
 - 4. (d)

Question ID : 9941601529

Option 1 ID : 9941606113

Option 2 ID : 9941606114

Option 3 ID : 9941606115

Option 4 ID : 9941606116

Status : Answered

Chosen Option : 4

Q.67

A 16 pole, DC generator has a simplex wave wound armature containing 32 coils of 6 turns each. Its flux per pole is 0.06Wb. The machine is running at 250rpm. The induced armature voltage is

- a) 96V
- b) 192V
- c) 384V
- d) 768V

- Ans
- 1. (a)
 - 2. (b)
 - 3. (c)
 - 4. (d)

Question ID : 9941601532

Option 1 ID : 9941606125

Option 2 ID : 9941606126

Option 3 ID : 9941606127

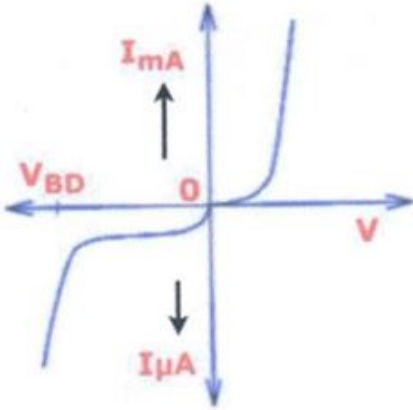
Option 4 ID : 9941606128

Status : Answered

Chosen Option : 3

Q.68

नीचे दिया हुआ चित्र सूचित करता है कि यह युक्ति -----



- a) ओम नियम का पालन करती है
- b) ओम नियम का पालन नहीं करती है
- c) परिभाषा नहीं दी जा सकती है
- d) सार्वत्रिक नियम का पालन करती है

Ans 1. (a)
 2. (b)
 3. (c)
 4. (d)



Teachingninja.in

Question ID : 9941601524

Option 1 ID : 9941606093

Option 2 ID : 9941606094

Option 3 ID : 9941606095

Option 4 ID : 9941606096

Status : Answered

Chosen Option : 2

Q.69

What is the approximate breakdown strength of atmospheric air is

- a) 0.3kV/cm
- b) 1.0 kV/cm
- c) 3 kV/cm
- d) 30 kV/cm

- Ans
- 1. (a)
 - 2. (b)
 - 3. (c)
 - 4. (d)

Question ID : 9941601553

Option 1 ID : 9941606209

Option 2 ID : 9941606210

Option 3 ID : 9941606211

Option 4 ID : 9941606212

Status : Answered

Chosen Option : 4

Q.70

Which one of the following can step up or step down DC voltage in power electronics?

- a. Inverter
- b. Rectifier
- c. Chopper
- d. Cycloconverter

- Ans
- 1. (a)
 - 2. (b)
 - 3. (c)
 - 4. (d)

Question ID : 9941601570

Option 1 ID : 9941606277

Option 2 ID : 9941606278

Option 3 ID : 9941606279

Option 4 ID : 9941606280

Status : Answered

Chosen Option : 3



Q.71 Norton's equivalent circuit consists of a _____

- a) Voltage source in series with a resistor
- b) Current source in parallel with a resistor
- c) Both voltage and current sources
- d) Current source in series with a resistor

- Ans
- 1. (a)
 - 2. (b)
 - 3. (c)
 - 4. (d)

Question ID : 9941601523
Option 1 ID : 9941606089
Option 2 ID : 9941606090
Option 3 ID : 9941606091
Option 4 ID : 9941606092
Status : Answered
Chosen Option : 2

Q.72 In majority of instruments damping is provided by

- A) Fluid friction
- B) Spring
- C) Eddy currents
- D) All of the above

- Ans
- 1. (a)
 - 2. (b)
 - 3. (c)
 - 4. (d)

Question ID : 9941601542
Option 1 ID : 9941606165
Option 2 ID : 9941606166
Option 3 ID : 9941606167
Option 4 ID : 9941606168
Status : Answered
Chosen Option : 3



Q.73 Which of the following is not an advantage of semiconductor gauges as compared to conventional strain gauges?

- A) Excellent hysteresis characteristics
- B) Least sensitive to temperature changes
- C) High fatigue life
- D) Smaller size.

Ans 1. (a)
 2. (b)
 3. (c)
 4. (d)

Question ID : 9941601552
Option 1 ID : 9941606205
Option 2 ID : 9941606206
Option 3 ID : 9941606207
Option 4 ID : 9941606208
Status : Answered
Chosen Option : 2

Q.74 Line trap unit employed in carrier current relaying

- a) Offers high impedance to 50Hz power frequency signals
- b) Offers high impedance to carrier frequency signals
- c) Offers low impedance to carrier frequency signals
- d) Offers low impedance to carrier frequency signals and high impedance to 50Hz power frequency signals

Ans 1. (a)
 2. (b)
 3. (c)
 4. (d)

Question ID : 9941601563
Option 1 ID : 9941606249
Option 2 ID : 9941606250
Option 3 ID : 9941606251
Option 4 ID : 9941606252
Status : Answered
Chosen Option : 4



Q.75

A Two winding 220 V/ 110 V, 2.5 kVA transformer is reconnected as a 220/330 V Auto transformer. It is re rated as

- a) 3.88 kVA
- b) 4.5 kVA
- c) 7.5 kVA
- d) 10 kVA

- Ans
- 1. (a)
 - 2. (b)
 - 3. (c)
 - 4. (d)

Question ID : 9941601538
Option 1 ID : 9941606149
Option 2 ID : 9941606150
Option 3 ID : 9941606151
Option 4 ID : 9941606152
Status : Answered
Chosen Option : 1

Q.76

What is the hexadecimal equivalent of the binary number 11100110?

- a) E6
- b) D9
- c) F1
- d) A3

- Ans
- 1. (a)
 - 2. (b)
 - 3. (c)
 - 4. (d)

Question ID : 9941601598
Option 1 ID : 9941606389
Option 2 ID : 9941606390
Option 3 ID : 9941606391
Option 4 ID : 9941606392
Status : Answered
Chosen Option : 1

Q.77 A universal RLC bridge uses

- A) Maxwell bridge configuration for measurement of inductance and De Santas bridge for measurement of capacitance
- B) Maxwell Wein bridge for measurement of inductance and modified De Santy's bridge for measurement of capacitance
- C) Maxwell Wein bridge for measurement of inductance and Wein bridge for measurement of capacitance
- D) Any of the above

- Ans
- 1. (a)
 - 2. (b)
 - 3. (c)
 - 4. (d)

Question ID : 9941601600
Option 1 ID : 9941606397
Option 2 ID : 9941606398
Option 3 ID : 9941606399
Option 4 ID : 9941606400
Status : Answered
Chosen Option : 2

Q.78 Eddy current losses in a transformer are getting reduced when

- a) Laminations are thick
- b) If the number of turns in primary winding is reduced.
- c) If the number of turns in a secondary winding is reduced.
- d) Laminations are thin

- Ans
- 1. (a)
 - 2. (b)
 - 3. (c)
 - 4. (d)

Question ID : 9941601528
Option 1 ID : 9941606109
Option 2 ID : 9941606110
Option 3 ID : 9941606111
Option 4 ID : 9941606112
Status : Answered
Chosen Option : 4

Q.79

Total instantaneous power supplied by a 3-phase AC supply to the balanced R-L load is

- a) Zero
- b) Constant
- c) Pulsating with zero average
- d) Pulsating with non zero average

- Ans
- 1. (a)
 - 2. (b)
 - 3. (c)
 - 4. (d)

Question ID : 9941601568

Option 1 ID : 9941606269

Option 2 ID : 9941606270

Option 3 ID : 9941606271

Option 4 ID : 9941606272

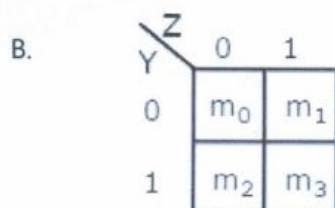
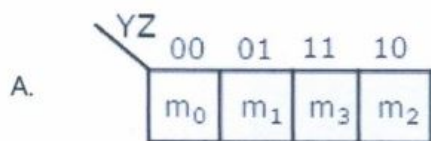
Status : Answered

Chosen Option : 2



Teachingninja.in

Q.80 Two variable representation of Karnaugh's map (k Map) can be shown as



- C. Both A and B
D. None of the above

- Ans 1. (a)
 2. (b)
 3. (c)
 4. (d)

Question ID : 9941601597

Option 1 ID : 9941606385

Option 2 ID : 9941606386

Option 3 ID : 9941606387

Option 4 ID : 9941606388

Status : Answered

Chosen Option : 3