



# Teachingninja.in

**HPCL Engineer (Electrical) 23 Dec 2023**

- ★ Latest Govt Job updates
- ★ Private Job updates
- ★ Free Mock tests available

**Visit - [teachingninja.in](https://teachingninja.in)**



|                  |                     |
|------------------|---------------------|
| Participant ID   |                     |
| Participant Name |                     |
| Test Center Name |                     |
| Test Date        | 23/12/2023          |
| Test Time        | 2:00 PM - 4:30 PM   |
| Subject          | Electrical Engineer |

Section : English Language

**Q.1** Choose the most logical order of the sentences from among the four given choices to construct a coherent paragraph.

Language is a tool used by society to communicate since ancient times.

A) Therefore, schools such as the Full Boarding School, for example, provide an opportunity for students to learn five international languages, namely, French, German, Japanese, Chinese, and Arabic through international language learning.

B) Therefore, many benefits will be obtained by someone who masters other languages besides the mother tongue.

C) In facing this globalization era, the ability to master and communicate in various languages is an advantage to an individual.

D) Without the ability and proficiency in speaking in various languages, it is quite difficult for someone to communicate especially with individuals of different races.

- Ans  1. ABCD  
 2. CADB  
 3. DACB  
 4. CBDA

Question ID : 630680507281

Option 1 ID : 6306801982579

Option 2 ID : 6306801982578

Option 3 ID : 6306801982577

Option 4 ID : 6306801982580

Status : Answered

Chosen Option : 2

**Q.2** Select the most appropriate SYNONYM of the given word below.

Precedence

- Ans  1. Priority  
 2. Unnecessary  
 3. Unwanted  
 4. Secondary

Question ID : 630680507287

Option 1 ID : 6306801982601

Option 2 ID : 6306801982603

Option 3 ID : 6306801982604

Option 4 ID : 6306801982602

Status : Answered

Chosen Option : 4

Q.3 Choose the most appropriate one-word substitution for the below word.

"The study of the evolution of mankind"

- Ans
- 1. Botany
  - 2. Geology
  - 3. Anthropology
  - 4. Lexicography

Question ID : 630680507282  
Option 1 ID : 6306801982584  
Option 2 ID : 6306801982582  
Option 3 ID : 6306801982583  
Option 4 ID : 6306801982581  
Status : Answered  
Chosen Option : 3

Q.4 Fill in the blank with the correct word from the below options.

Spending three days working on a farm in rural China has given me a newfound \_\_\_\_\_ for the difficulties of farming and the challenges faced by farmers.

- Ans
- 1. appreciation
  - 2. pleasure
  - 3. contempt
  - 4. disgust

Question ID : 630680507288  
Option 1 ID : 6306801982606  
Option 2 ID : 6306801982608  
Option 3 ID : 6306801982607  
Option 4 ID : 6306801982605  
Status : Answered  
Chosen Option : 1

Q.5 In the following question a part of the statement is given in brackets. You are required to replace the text with correct Idioms given in the options.

David thought Christopher was the one who broke the vase, but he was (looking for the answers in the wrong place).

- Ans
- 1. barking up the wrong tree
  - 2. pleased as punch
  - 3. on the ball
  - 4. miss the boat

Question ID : 630680507284  
Option 1 ID : 6306801982591  
Option 2 ID : 6306801982592  
Option 3 ID : 6306801982590  
Option 4 ID : 6306801982589  
Status : Answered  
Chosen Option : 1

Q.6 Fill in the blank with the correct word from the below options.

Spending three days working on a farm in rural China has given me a newfound adoration for the difficulties of farming and the challenges faced by farmers. I now understand the difficulties \_\_\_\_\_ in digging up potatoes and carrying them back home and appreciate the hard work that goes into providing for a family.

- Ans
- 1. attracted
  - 2. unimaginable
  - 3. evolved
  - 4. involved

Question ID : 630680507290  
Option 1 ID : 6306801982614  
Option 2 ID : 6306801982616  
Option 3 ID : 6306801982615  
Option 4 ID : 6306801982613  
Status : Answered  
Chosen Option : 4

Q.7 Select the most appropriate adjective from the given option to fill in the blanks for the given sentence.

We were \_\_\_\_\_ when we heard the news.

- Ans
- 1. bored
  - 2. shocking
  - 3. shocked
  - 4. amazing

Question ID : 630680507279  
Option 1 ID : 6306801982572  
Option 2 ID : 6306801982570  
Option 3 ID : 6306801982571  
Option 4 ID : 6306801982569  
Status : Answered  
Chosen Option : 3

Q.8 In the following question a part of the statement is given in brackets. You are required to replace the text with correct Idioms given in the options.

We're (trying very hard but have little or no success) here; we need a plan before we do any more work.

- Ans
- 1. spill the beans
  - 2. sleep like a log
  - 3. selling like hotcakes
  - 4. just running in circles

Question ID : 630680507285  
Option 1 ID : 6306801982596  
Option 2 ID : 6306801982595  
Option 3 ID : 6306801982593  
Option 4 ID : 6306801982594  
Status : Answered  
Chosen Option : 4

Q.9 Choose the most appropriate one-word substitution for the below word.

"A large cage, building, or enclosure to keep birds "

- Ans  1. Asylum  
 2. Aviary  
 3. Casino  
 4. Apiary

Question ID : 630680507283  
Option 1 ID : 6306801982587  
Option 2 ID : 6306801982586  
Option 3 ID : 6306801982588  
Option 4 ID : 6306801982585  
Status : Answered  
Chosen Option : 2

Q.10 Fill in the blank with the correct word from the below options.

Spending three days working on a farm in rural China has given me a newfound respect for the difficulties of farming and the challenges faced by farmers. Prior to this experience, I had never considered the amount of \_\_\_\_\_ required to produce the potatoes we eat at home.

- Ans  1. effort  
 2. force  
 3. ease  
 4. inactivity

Question ID : 630680507289  
Option 1 ID : 6306801982609  
Option 2 ID : 6306801982611  
Option 3 ID : 6306801982610  
Option 4 ID : 6306801982612  
Status : Answered  
Chosen Option : 1

Q.11 Choose the most logical order of the sentences from among the four given choices to construct a coherent paragraph.

In this era of globalization, society seems to be too busy chasing worldly luxuries and often neglects healthy lifestyle practices, especially recreational activities.

- A) This is because they take the importance of recreational activities lightly.  
B) Without realizing it, there are actually various benefits of recreation to society.  
C) One of the benefits of recreation to society is the ability to strengthen relationships, whether with the local community or with one's own family members. This is because through recreational activities, individuals will interact with others around them, thus strengthening relationships.  
D) For example, through recreational activities, we can have friendly conversations with neighbors. It is clear that recreation can strengthen relationships between individuals.

- Ans  1. ABCD  
 2. ACBD  
 3. ADBC  
 4. BDAC

Question ID : 630680507280  
Option 1 ID : 6306801982576  
Option 2 ID : 6306801982575  
Option 3 ID : 6306801982574  
Option 4 ID : 6306801982573  
Status : Answered  
Chosen Option : 1

Q.12 Select the most appropriate SYNONYM of the given word below.

Discern

- Ans  1. Notice  
 2. Ignore  
 3. Neglect  
 4. Disregard

Question ID : 630680507286  
Option 1 ID : 6306801982598  
Option 2 ID : 6306801982597  
Option 3 ID : 6306801982600  
Option 4 ID : 6306801982599  
Status : Answered  
Chosen Option : 2

Q.13 Select the most appropriate adjective from the given option to fill in the blanks for the given sentence.

The movie we watched last night was \_\_\_\_\_.

- Ans  1. terrified  
 2. Boring  
 3. interested  
 4. bored

Question ID : 630680507278  
Option 1 ID : 6306801982565  
Option 2 ID : 6306801982568  
Option 3 ID : 6306801982567  
Option 4 ID : 6306801982566  
Status : Answered  
Chosen Option : 2



**Comprehension:**

Read the below passage and answer the questions.

Tobacco is a deadly menace, responsible for millions of deaths annually. It is highly addictive and contains harmful substances that can lead to a variety of diseases, including cancer, heart disease, and stroke. The tobacco industry invests heavily in advertising to perpetuate addiction and counter efforts towards cessation.

To combat smoking, we need to prioritize the well-being of our youth and equip them with the necessary knowledge and support to resist the allure of smoking. We also need to raise awareness among the broader community about the devastating consequences of tobacco use. Efforts to combat smoking must extend beyond individual actions and include robust policies and regulations. Strict laws limiting tobacco advertising, particularly targeting vulnerable populations like young people, should be enforced. Implementing smoke-free policies in public spaces, workplaces, and public transportation can protect non-smokers from the harmful effects of secondhand smoke.

Creating a united front against tobacco requires collaboration between government bodies, healthcare organizations, non-profit groups, and individuals. By pooling resources and expertise, impactful strategies can be implemented to reduce smoking rates and prevent unnecessary deaths.

In the pursuit of a tobacco-free future, ongoing research and development play a vital role. Scientists and medical professionals should continue investigating the long-term effects of smoking and developing innovative cessation methods. Accessible and affordable treatments, including counselling services, nicotine replacement therapies, and medications, must be made available to those seeking to quit smoking.

The journey towards a tobacco-free society demands perseverance, determination, and a collective effort. Public health must take precedence over the interests of the tobacco industry. By empowering individuals, implementing strong policies, and fostering a culture of health, we can pave the way for a brighter, smoke-free future for generations to come.

**SubQuestion No : 14**

**Q.14 Identify the central theme of the passage.**

- Ans**
- 1. The passage talks about the importance of tobaccos to tackle boredom.
  - 2. The passage talks about the different methods to quit or reduce smoking.
  - 3. The passage talks about the pooling of resources and expertise to be implemented to enhance smoking rates and prevent unnecessary deaths.
  - 4. The passage talks about the collective efforts required by individuals and the concerned authorities to ensure a smoke-free future for generations.

Question ID : 630680507293

Option 1 ID : 6306801982622

Option 2 ID : 6306801982623

Option 3 ID : 6306801982621

Option 4 ID : 6306801982624

Status : Answered

Chosen Option : 4

**Comprehension:**

Read the below passage and answer the questions.

Tobacco is a deadly menace, responsible for millions of deaths annually. It is highly addictive and contains harmful substances that can lead to a variety of diseases, including cancer, heart disease, and stroke. The tobacco industry invests heavily in advertising to perpetuate addiction and counter efforts towards cessation.

To combat smoking, we need to prioritize the well-being of our youth and equip them with the necessary knowledge and support to resist the allure of smoking. We also need to raise awareness among the broader community about the devastating consequences of tobacco use. Efforts to combat smoking must extend beyond individual actions and include robust policies and regulations. Strict laws limiting tobacco advertising, particularly targeting vulnerable populations like young people, should be enforced. Implementing smoke-free policies in public spaces, workplaces, and public transportation can protect non-smokers from the harmful effects of secondhand smoke.

Creating a united front against tobacco requires collaboration between government bodies, healthcare organizations, non-profit groups, and individuals. By pooling resources and expertise, impactful strategies can be implemented to reduce smoking rates and prevent unnecessary deaths.

In the pursuit of a tobacco-free future, ongoing research and development play a vital role. Scientists and medical professionals should continue investigating the long-term effects of smoking and developing innovative cessation methods. Accessible and affordable treatments, including counselling services, nicotine replacement therapies, and medications, must be made available to those seeking to quit smoking.

The journey towards a tobacco-free society demands perseverance, determination, and a collective effort. Public health must take precedence over the interests of the tobacco industry. By empowering individuals, implementing strong policies, and fostering a culture of health, we can pave the way for a brighter, smoke-free future for generations to come.

**SubQuestion No : 15**

**Q.15** Select the most appropriate **SYNONYM** of the given word below.

**Cessation**

- Ans**
- 1. Extension
  - 2. Survival
  - 3. Ending
  - 4. Continuation

Question ID : 630680507295

Option 1 ID : 6306801982630

Option 2 ID : 6306801982631

Option 3 ID : 6306801982632

Option 4 ID : 6306801982629

Status : Answered

Chosen Option : 3



**Comprehension:**

Read the below passage and answer the questions.

Tobacco is a deadly menace, responsible for millions of deaths annually. It is highly addictive and contains harmful substances that can lead to a variety of diseases, including cancer, heart disease, and stroke. The tobacco industry invests heavily in advertising to perpetuate addiction and counter efforts towards cessation.

To combat smoking, we need to prioritize the well-being of our youth and equip them with the necessary knowledge and support to resist the allure of smoking. We also need to raise awareness among the broader community about the devastating consequences of tobacco use. Efforts to combat smoking must extend beyond individual actions and include robust policies and regulations. Strict laws limiting tobacco advertising, particularly targeting vulnerable populations like young people, should be enforced. Implementing smoke-free policies in public spaces, workplaces, and public transportation can protect non-smokers from the harmful effects of secondhand smoke.

Creating a united front against tobacco requires collaboration between government bodies, healthcare organizations, non-profit groups, and individuals. By pooling resources and expertise, impactful strategies can be implemented to reduce smoking rates and prevent unnecessary deaths.

In the pursuit of a tobacco-free future, ongoing research and development play a vital role. Scientists and medical professionals should continue investigating the long-term effects of smoking and developing innovative cessation methods. Accessible and affordable treatments, including counselling services, nicotine replacement therapies, and medications, must be made available to those seeking to quit smoking.

The journey towards a tobacco-free society demands perseverance, determination, and a collective effort. Public health must take precedence over the interests of the tobacco industry. By empowering individuals, implementing strong policies, and fostering a culture of health, we can pave the way for a brighter, smoke-free future for generations to come.

**SubQuestion No : 16**

**Q.16** Identify the suitable title for the passage.

**Ans** ✓ 1. Tobacco- A public Health crisis

✗ 2. Threats to society

✗ 3. Efforts to combat smoking

✗ 4. Smoke free society

Question ID : 630680507292

Option 1 ID : 6306801982617

Option 2 ID : 6306801982620

Option 3 ID : 6306801982619

Option 4 ID : 6306801982618

Status : Answered

Chosen Option : 4



**Comprehension:**

Read the below passage and answer the questions.

Tobacco is a deadly menace, responsible for millions of deaths annually. It is highly addictive and contains harmful substances that can lead to a variety of diseases, including cancer, heart disease, and stroke. The tobacco industry invests heavily in advertising to perpetuate addiction and counter efforts towards cessation.

To combat smoking, we need to prioritize the well-being of our youth and equip them with the necessary knowledge and support to resist the allure of smoking. We also need to raise awareness among the broader community about the devastating consequences of tobacco use. Efforts to combat smoking must extend beyond individual actions and include robust policies and regulations. Strict laws limiting tobacco advertising, particularly targeting vulnerable populations like young people, should be enforced. Implementing smoke-free policies in public spaces, workplaces, and public transportation can protect non-smokers from the harmful effects of secondhand smoke.

Creating a united front against tobacco requires collaboration between government bodies, healthcare organizations, non-profit groups, and individuals. By pooling resources and expertise, impactful strategies can be implemented to reduce smoking rates and prevent unnecessary deaths.

In the pursuit of a tobacco-free future, ongoing research and development play a vital role. Scientists and medical professionals should continue investigating the long-term effects of smoking and developing innovative cessation methods. Accessible and affordable treatments, including counselling services, nicotine replacement therapies, and medications, must be made available to those seeking to quit smoking.

The journey towards a tobacco-free society demands perseverance, determination, and a collective effort. Public health must take precedence over the interests of the tobacco industry. By empowering individuals, implementing strong policies, and fostering a culture of health, we can pave the way for a brighter, smoke-free future for generations to come.

**SubQuestion No : 17**

Q.17 Select the most appropriate **SYNONYM** of the given word below.

**Combat**

- Ans
- 1. Encourage
  - 2. Promote
  - 3. Oppose
  - 4. Forward

Question ID : 630680507294

Option 1 ID : 6306801982626

Option 2 ID : 6306801982628

Option 3 ID : 6306801982627

Option 4 ID : 6306801982625

Status : Answered

Chosen Option : 3

**Section : Quantitative Aptitude**

Q.1 If  $x : y = 7 : 4$  then  $(x^2 + y^2) : (x^2 - y^2)$  is equal to:

- Ans
- 1. 65 : 33
  - 2. 5 : 3
  - 3. 33 : 56
  - 4. 17 : 22

Question ID : 630680507654

Option 1 ID : 6306801984059

Option 2 ID : 6306801984057

Option 3 ID : 6306801984060

Option 4 ID : 6306801984058

Status : Answered

Chosen Option : 1

**Q.2** A rat climbed onto a 540 cm diameter pedal of a water wheel over a bucket, which traveled an angle of 190 degrees before falling. Calculate the linear length moved by the rat with the bucket before it falls.

- Ans**
- 1.  $180\pi$
  - 2.  $300\pi$
  - 3.  $210\pi$
  - 4.  $285\pi$

Question ID : 630680507669  
Option 1 ID : 6306801984117  
Option 2 ID : 6306801984120  
Option 3 ID : 6306801984118  
Option 4 ID : 6306801984119  
Status : Answered  
Chosen Option : 4

**Q.3** A city, which has a population of 3200, requires 10 litres of water per person per day. It has a cuboidal tank measuring  $16\text{ m} \times 9\text{ m} \times 8\text{ m}$ . If the tank is full of water then for how many days will the water of this tank last?

- Ans**
- 1. 36 days
  - 2. 20 days
  - 3. 66 days
  - 4. 100 days

Question ID : 630680507667  
Option 1 ID : 6306801984111  
Option 2 ID : 6306801984112  
Option 3 ID : 6306801984110  
Option 4 ID : 6306801984109  
Status : Answered  
Chosen Option : 1

**Q.4** What is the compound interest on a sum of 11000 at 12% per annum in 2 years, if the interest is compound 8-monthly?

- Ans**
- 1. Rs. 1860.5
  - 2. Rs. 3275
  - 3. Rs. 2860
  - 4. Rs. 2856.8

Question ID : 630680507641  
Option 1 ID : 6306801984005  
Option 2 ID : 6306801984008  
Option 3 ID : 6306801984006  
Option 4 ID : 6306801984007  
Status : Answered  
Chosen Option : 2

Q.5 H.C.F. of 500, 1200 and 1400 is \_\_\_\_\_.

- Ans
- 1. 100
  - 2. 400
  - 3. 300
  - 4. 200

Question ID : 630680507645  
Option 1 ID : 6306801984024  
Option 2 ID : 6306801984021  
Option 3 ID : 6306801984022  
Option 4 ID : 6306801984023  
Status : Answered  
Chosen Option : 1

Q.6 A shopkeeper sells an article for Rs. 200 with a loss of Rs. 20 %. Find the cost price of the article.

- Ans
- 1. Rs. 300
  - 2. Rs. 280
  - 3. Rs. 260
  - 4. Rs. 250

Question ID : 630680507650  
Option 1 ID : 6306801984044  
Option 2 ID : 6306801984043  
Option 3 ID : 6306801984042  
Option 4 ID : 6306801984041  
Status : Answered  
Chosen Option : 4

Q.7 One car completes journey of 480 km in 12 hours and the other car completes the journey of 550 kms in 11 hours. The ratio of their average speed is

- Ans
- 1. 4 : 5
  - 2. 5 : 7
  - 3. 1 : 2
  - 4. 3 : 7

Question ID : 630680507657  
Option 1 ID : 6306801984070  
Option 2 ID : 6306801984071  
Option 3 ID : 6306801984069  
Option 4 ID : 6306801984072  
Status : Answered  
Chosen Option : 1

Q.8 In a single throw of two dice, what is the probability of getting 3 as a product?

- Ans
- 1.  $\frac{4}{18}$
  - 2.  $\frac{2}{9}$
  - 3.  $\frac{1}{18}$
  - 4.  $\frac{1}{36}$

Question ID : 630680507661  
Option 1 ID : 6306801984088  
Option 2 ID : 6306801984086  
Option 3 ID : 6306801984087  
Option 4 ID : 6306801984085  
Status : Answered  
Chosen Option : 3

Q.9 Find the selling price if marked price = Rs. 2700 and Discount = 24%

- Ans
- 1. Rs. 2134
  - 2. Rs. 2278
  - 3. Rs. 2256
  - 4. Rs. 2052

Question ID : 630680507652  
Option 1 ID : 6306801984050  
Option 2 ID : 6306801984052  
Option 3 ID : 6306801984051  
Option 4 ID : 6306801984049  
Status : Answered  
Chosen Option : 4

Q.10 If  $6x^2 - ax + 12 = ax^2 + 4x + 4$  has only one (repeated) solution, then the positive integral solution of a is:

- Ans
- 1. 44
  - 2. 22
  - 3. 2
  - 4. 4

Question ID : 630680507664  
Option 1 ID : 6306801984097  
Option 2 ID : 6306801984098  
Option 3 ID : 6306801984099  
Option 4 ID : 6306801984100  
Status : Answered  
Chosen Option : 4

**Q.11** John is arranging chairs for a seminar, and the chairs are in proportion with numbers 4, 8, and 12. What is the fourth proportional for a new set of chairs?

- Ans**  1. 24  
 2. 33  
 3. 26  
 4. 30

Question ID : 630680507653  
Option 1 ID : 6306801984053  
Option 2 ID : 6306801984056  
Option 3 ID : 6306801984054  
Option 4 ID : 6306801984055  
Status : Answered  
Chosen Option : 1

**Q.12** It is observed that the pipe A can fill the tank in 12 hrs and the same tank is filled by pipe B in 20 hrs. The third pipe C can vacate the tank in 30 hrs. If all the pipes get opened initially and after 8 hrs, the pipe C is closed, then how long will it take to fill the tank?

- Ans**  1. 2.5 hrs.  
 2. 1.5 hrs.  
 3. 4.5 hrs.  
 4. 3.5 hrs.

Question ID : 630680507656  
Option 1 ID : 6306801984067  
Option 2 ID : 6306801984068  
Option 3 ID : 6306801984065  
Option 4 ID : 6306801984066  
Status : Answered  
Chosen Option : 2

**Q.13** Selling price of 14 candles is same as Cost price of 21 candles. Find the gain percent.

- Ans**  1. 66.67%  
 2. 50%  
 3. 33.33%  
 4.  $\frac{23}{45}$ %

Question ID : 630680507651  
Option 1 ID : 6306801984048  
Option 2 ID : 6306801984046  
Option 3 ID : 6306801984047  
Option 4 ID : 6306801984045  
Status : Answered  
Chosen Option : 2

**Q.14** If 'A' completes a piece of work in 12 days, which 'B' completes it in 15 days and 'C' takes 10 days to complete the same work. How long will they take to complete the work, if they work together?

- Ans**
- 1. 2 days
  - 2. 4 days
  - 3. 8 days
  - 4. 6 days

Question ID : 630680507655  
Option 1 ID : 6306801984061  
Option 2 ID : 6306801984062  
Option 3 ID : 6306801984064  
Option 4 ID : 6306801984063  
Status : Answered  
Chosen Option : 2

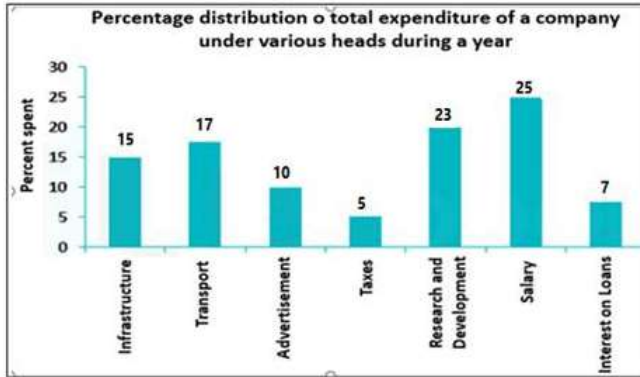
**Q.15** Tarun borrowed Rs. 28000 from a friend to buy a laptop. He agreed to pay back the loan in 2 years with a simple interest rate of 8% per annum. How much Money will he pay back after 2 years?

- Ans**
- 1. Rs. 25470
  - 2. Rs. 36490
  - 3. Rs. 22450
  - 4. Rs. 32480

Question ID : 630680507640  
Option 1 ID : 6306801984002  
Option 2 ID : 6306801984004  
Option 3 ID : 6306801984001  
Option 4 ID : 6306801984003  
Status : Answered  
Chosen Option : 4



Q.16 Study the given graph and answer the question that follows:



What percentage of total expenditure is spent on transportation and infrastructure?

- Ans
- 1. 32%
  - 2. 40%
  - 3. 16%
  - 4. 24%

Question ID : 630680507644  
Option 1 ID : 6306801984019  
Option 2 ID : 6306801984020  
Option 3 ID : 6306801984017  
Option 4 ID : 6306801984018  
Status : Answered  
Chosen Option : 1

Q.17 If the coordinates of a point are  $(0, -7)$ , then it lies in:

- Ans
- 1. Between x-axis and y-axis
  - 2. Y-axis
  - 3. X-axis
  - 4. At origin

Question ID : 630680507668  
Option 1 ID : 6306801984116  
Option 2 ID : 6306801984115  
Option 3 ID : 6306801984114  
Option 4 ID : 6306801984113  
Status : Answered  
Chosen Option : 2



**Q.18** There are 5 friends, and each of them has a different number of marbles. The number of marbles they have is 5, 7, 10, 14, and 19, respectively. What is the average number of marbles per friend?

- Ans**
- 1. 13
  - 2. 15
  - 3. 11
  - 4. 10

Question ID : 630680507638  
Option 1 ID : 6306801983994  
Option 2 ID : 6306801983993  
Option 3 ID : 6306801983995  
Option 4 ID : 6306801983996  
Status : Answered  
Chosen Option : 3

**Q.19** Height of a cylinder is 4 cm and its radius is 1.4 cm. Curved surface area of cylinder is. Take ( $\pi = \frac{22}{7}$ )

- Ans**
- 1. 34.5 cm<sup>2</sup>
  - 2. 38.9 cm<sup>2</sup>
  - 3. 35.2 cm<sup>2</sup>
  - 4. 42.2 cm<sup>2</sup>

Question ID : 630680507665  
Option 1 ID : 6306801984101  
Option 2 ID : 6306801984103  
Option 3 ID : 6306801984102  
Option 4 ID : 6306801984104  
Status : Answered  
Chosen Option : 3

**Q.20** Find the largest number of 4-digits divisible by 8, 15 and 22

- Ans**
- 1. 9560
  - 2. 9240
  - 3. 9820
  - 4. 9340

Question ID : 630680507646  
Option 1 ID : 6306801984027  
Option 2 ID : 6306801984025  
Option 3 ID : 6306801984028  
Option 4 ID : 6306801984026  
Status : Answered  
Chosen Option : 2

**Q.21** A solid hemisphere has radius 26 cm. It is melted to form a cylinder such that the ratio of its curved surface area to total surface area is 6 : 15. What is the radius (in cm) of its base.

- Ans**
- 1. 23 cm
  - 2. 26 cm
  - 3. 21 cm
  - 4. 20 cm

Question ID : 630680507666  
Option 1 ID : 6306801984107  
Option 2 ID : 6306801984108  
Option 3 ID : 6306801984106  
Option 4 ID : 6306801984105  
Status : Answered  
Chosen Option : 3

**Q.22** The price of rice falls by 4.5 %. By what percentage a person can increase the consumption of rice so that his overall budget does not change?

- Ans**
- 1. 4.71%
  - 2. 2.89%
  - 3. 3.89%
  - 4. 3.24%

Question ID : 630680507648  
Option 1 ID : 6306801984036  
Option 2 ID : 6306801984033  
Option 3 ID : 6306801984035  
Option 4 ID : 6306801984034  
Status : Not Answered  
Chosen Option : --

**Q.23**  $\sqrt{20.25} + \sqrt{9 + (?)^2} = 9.5.$

- Ans**
- 1. 4
  - 2. 1
  - 3. 2
  - 4. 3

Question ID : 630680507647  
Option 1 ID : 6306801984032  
Option 2 ID : 6306801984029  
Option 3 ID : 6306801984030  
Option 4 ID : 6306801984031  
Status : Answered  
Chosen Option : 1

**Q.24** If the value of  $\alpha + \beta = 90^\circ$ , and  $\alpha : \beta = 2 : 1$ , then what is the ratio of  $\sin \alpha$  to  $\cos \beta$  ?

- Ans**
- 1. 2 : 1
  - 2. 3 : 4
  - 3. 4 : 5
  - 4. 1 : 1

Question ID : 630680507671  
Option 1 ID : 6306801984125  
Option 2 ID : 6306801984126  
Option 3 ID : 6306801984127  
Option 4 ID : 6306801984128  
Status : Answered  
Chosen Option : 4

**Q.25** The average weight of 23 workers in the shop is 50 kg. If the weight of the shop manager is included, the average is increased by 2 kg, then what is the weight of the manager?

- Ans**
- 1. 98 kg
  - 2. 89 kg
  - 3. 75 kg
  - 4. 78 kg

Question ID : 630680507639  
Option 1 ID : 6306801983997  
Option 2 ID : 6306801983998  
Option 3 ID : 6306801984000  
Option 4 ID : 6306801983999  
Status : Answered  
Chosen Option : 1

**Q.26** The current birth rate per thousand is 22, whereas corresponding death rate is 7 per thousand. Find the net growth rate in terms of population increase in percent.

- Ans**
- 1. 1.5%
  - 2. 0.5%
  - 3. 2%
  - 4. 1%

Question ID : 630680507649  
Option 1 ID : 6306801984038  
Option 2 ID : 6306801984040  
Option 3 ID : 6306801984037  
Option 4 ID : 6306801984039  
Status : Not Answered  
Chosen Option : --

Q.27 If  $a \sin 60^\circ = b \sec 30^\circ$ , what is the value of  $\frac{a^2}{b^2}$ ?

- Ans
- 1.  $\frac{9}{16}$
  - 2.  $\frac{3}{4}$
  - 3.  $\frac{4}{3}$
  - 4.  $\frac{16}{9}$

Question ID : 630680507670  
Option 1 ID : 6306801984123  
Option 2 ID : 6306801984124  
Option 3 ID : 6306801984121  
Option 4 ID : 6306801984122  
Status : Answered  
Chosen Option : 4

Q.28 A Motorboat covers a certain distance at a speed of 90 kmph in 10 hours. To cover the same distance in 20 hours, It must travel at the speed of?

- Ans
- 1. 45 kmph
  - 2. 50 kmph
  - 3. 48 kmph
  - 4. 42 kmph

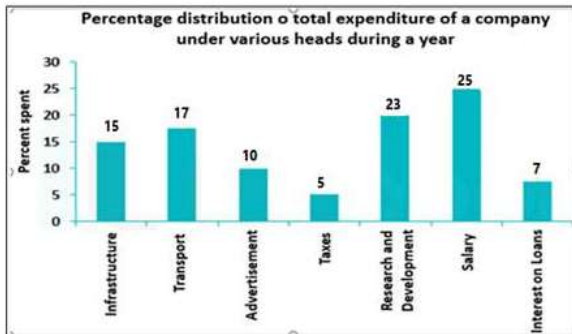
Question ID : 630680507658  
Option 1 ID : 6306801984074  
Option 2 ID : 6306801984076  
Option 3 ID : 6306801984075  
Option 4 ID : 6306801984073  
Status : Answered  
Chosen Option : 1

Q.29 In a standard six-sided dice numbered 1 through 6, Each face has an equal probability of landing face up when the die is rolled. If two dice are rolled simultaneously, what is the probability of getting a sum of 7?

- Ans
- 1.  $\frac{36}{7}$
  - 2.  $\frac{3}{6}$
  - 3.  $\frac{1}{6}$
  - 4.  $\frac{7}{36}$

Question ID : 630680507662  
Option 1 ID : 6306801984090  
Option 2 ID : 6306801984092  
Option 3 ID : 6306801984091  
Option 4 ID : 6306801984089  
Status : Answered  
Chosen Option : 3

Q.30 Study the given graph and answer the question that follows:



The expenditure of Salary is by what percentage more than the expenditure on transport?

- Ans
- 1. 41.11%
  - 2. 46.23%
  - 3. 45.33%
  - 4. 47.06%

Question ID : 630680507643

Option 1 ID : 6306801984016

Option 2 ID : 6306801984014

Option 3 ID : 6306801984015

Option 4 ID : 6306801984013

Status : Answered

Chosen Option : 4

Q.31 The roots of  $25x^2 - 10x + 1 = 0$  is:

- Ans
- 1.  $\frac{1}{20}$  and  $\frac{1}{20}$
  - 2.  $\frac{1}{10}$  and  $\frac{1}{10}$
  - 3.  $\frac{1}{15}$  and  $\frac{1}{15}$
  - 4.  $\frac{1}{5}$  and  $\frac{1}{5}$

Question ID : 630680507663

Option 1 ID : 6306801984096

Option 2 ID : 6306801984094

Option 3 ID : 6306801984095

Option 4 ID : 6306801984093

Status : Answered

Chosen Option : 4

**Q.32** The father's age is six times his son's age. six years hence, the age of the father will be four times his son's age. The present ages, in years, of the son and the father are, respectively

**Ans** ✓ 1. 9,54

✗ 2. 4,24

✗ 3. 5,30

✗ 4. 7,42

Question ID : 630680507660

Option 1 ID : 6306801984081

Option 2 ID : 6306801984084

Option 3 ID : 6306801984083

Option 4 ID : 6306801984082

Status : Answered

Chosen Option : 1

**Q.33** Which of the following is a solution to the equation  $4x + 8 = 6x + 2$ ?

**Ans** ✓ 1.  $x=3$

✗ 2.  $x=-1$

✗ 3.  $x=5$

✗ 4.  $x=1$

Question ID : 630680507659

Option 1 ID : 6306801984077

Option 2 ID : 6306801984079

Option 3 ID : 6306801984080

Option 4 ID : 6306801984078

Status : Answered

Chosen Option : 1

**Q.34** A sum of money when invested at compound interest for 5 years becomes 8 times of itself. In how many years, the same sum will be 64 times of itself?

**Ans** ✗ 1. 24 years

✗ 2. 12 years

✓ 3. 10 years

✗ 4. 16 years

Question ID : 630680507642

Option 1 ID : 6306801984012

Option 2 ID : 6306801984010

Option 3 ID : 6306801984009

Option 4 ID : 6306801984011

Status : Answered

Chosen Option : 3

Section : Intellectual Potential Test

Q.1 Which of the following option will replace the question mark?

73 : 16 :: 95 : ?

- Ans
- 1. 36
  - 2. 9
  - 3. 25
  - 4. 16

Question ID : 630680507467  
Option 1 ID : 6306801983312  
Option 2 ID : 6306801983311  
Option 3 ID : 6306801983310  
Option 4 ID : 6306801983309  
Status : Not Answered  
Chosen Option : --

Q.2 Which among the following option is correct on the basis of statement and courses of action?

Statement: About 50% of the students in a state high school board examination have failed due to the question paper being set that is very difficult.

Courses of Action:

- I. All the failed students are given a good lesson as they have not done hard work.
- II. Tough papers should always be set in board exams.

- Ans
- 1. Only I follows
  - 2. Both I and II follow
  - 3. Only II follows
  - 4. Neither I nor II follows

Question ID : 630680507459  
Option 1 ID : 6306801983277  
Option 2 ID : 6306801983279  
Option 3 ID : 6306801983278  
Option 4 ID : 6306801983280  
Status : Answered  
Chosen Option : 4

Q.3 If 'A' means 'multiplied by', 'B' means 'divided by', 'C' means 'minus' and 'D' means "plus", then what will be the value of following expression?

10 A 5 C 24 B 4 D 1 = ?

- Ans
- 1. 43
  - 2. 42
  - 3. 44
  - 4. 45

Question ID : 630680507462  
Option 1 ID : 6306801983290  
Option 2 ID : 6306801983289  
Option 3 ID : 6306801983291  
Option 4 ID : 6306801983292  
Status : Answered  
Chosen Option : 4

Q.4 In a certain code language, WATER is written as RETAW and SALT is written as TLAS.  
How HYDROGEN will be written in the same code?

- Ans
- 1. HYDROGEN
  - 2. HYDRONEG
  - 3. NEGOHYDR
  - 4. NEGORDYH

Question ID : 630680507440  
Option 1 ID : 6306801983204  
Option 2 ID : 6306801983202  
Option 3 ID : 6306801983203  
Option 4 ID : 6306801983201  
Status : Answered  
Chosen Option : 4

Q.5 If all symbols are removed from the series what will be the 7th element from the right?

K 8 N # 5 B \$ H 6 K @ D ^ 6 L # @ 3 L M & 5

- Ans
- 1. 5
  - 2. K
  - 3. D
  - 4. 6

Question ID : 630680507447  
Option 1 ID : 6306801983230  
Option 2 ID : 6306801983229  
Option 3 ID : 6306801983232  
Option 4 ID : 6306801983231  
Status : Answered  
Chosen Option : 3

Q.6 Read the given statement(s) and conclusions carefully. Assuming that the information given in the statements is true, even if it appears to be at variance with commonly known facts, decide which of the given conclusions logically follow(s) from the statement(s).

Statements:

Some quotes are alphabets.  
Some alphabets are words.  
All the words are poems.

Conclusions:

I. Some words are alphabets.  
II. Some poems are quotes.  
III. All the quotes are poems.  
IV. Some poems are alphabets.

- Ans
- 1. Only II and III
  - 2. Only I and II
  - 3. Only III and IV
  - 4. Only I and IV

Question ID : 630680507443  
Option 1 ID : 6306801983214  
Option 2 ID : 6306801983213  
Option 3 ID : 6306801983215  
Option 4 ID : 6306801983216  
Status : Answered  
Chosen Option : 4



Q.7 Which of the following pair is similar to the expression below?

32587 : 78523

- Ans  1. 12345 : 12354  
 2. 34817 : 71384  
 3. 45823 : 32854  
 4. 56732 : 23756

Question ID : 630680507465  
Option 1 ID : 6306801983301  
Option 2 ID : 6306801983304  
Option 3 ID : 6306801983302  
Option 4 ID : 6306801983303  
Status : Answered  
Chosen Option : 3

Q.8 Find the caretaker Prime Minister of India out of the following listed Prime Ministers?

- Ans  1. Jawahar Lal Nehru  
 2. Narendra Modi  
 3. Atal Bihari Vajpayee  
 4. Gulzari Lal Nanda

Question ID : 630680507455  
Option 1 ID : 6306801983262  
Option 2 ID : 6306801983261  
Option 3 ID : 6306801983264  
Option 4 ID : 6306801983263  
Status : Answered  
Chosen Option : 4

Q.9 On the basis of classical dance and folk dance, which of the following options is different from the other three options?

- Ans  1. Bihu  
 2. Mohiniattam  
 3. Kathakali  
 4. Bharatnatyam

Question ID : 630680507454  
Option 1 ID : 6306801983260  
Option 2 ID : 6306801983259  
Option 3 ID : 6306801983258  
Option 4 ID : 6306801983257  
Status : Answered  
Chosen Option : 2



Q.10 Which of the following options will replace the question marks based on the cities and their respective countries?

New York : USA :: Saint Petersburg : ?

- Ans
- 1. Romania
  - 2. Russia
  - 3. France
  - 4. Italy

Question ID : 630680507452  
Option 1 ID : 6306801983252  
Option 2 ID : 6306801983251  
Option 3 ID : 6306801983249  
Option 4 ID : 6306801983250  
Status : Answered  
Chosen Option : 4

Q.11 If the rank of a girl in a group is 9th from the top and 18th from the bottom, then how many more girls are required to make the total number of girls in that group 45?

- Ans
- 1. 16
  - 2. 17
  - 3. 18
  - 4. 19

Question ID : 630680507437  
Option 1 ID : 6306801983189  
Option 2 ID : 6306801983190  
Option 3 ID : 6306801983191  
Option 4 ID : 6306801983192  
Status : Answered  
Chosen Option : 4

Q.12 Which of the following option will replace the question mark?

56 : 121 :: 50 : ?

- Ans
- 1. 36
  - 2. 49
  - 3. 25
  - 4. 81

Question ID : 630680507466  
Option 1 ID : 6306801983306  
Option 2 ID : 6306801983307  
Option 3 ID : 6306801983305  
Option 4 ID : 6306801983308  
Status : Not Answered  
Chosen Option : --

Q.13 One evening just before sunset two boys Sanjiv and Manish were talking to each other face to face. If Manish's shadow was exactly to his left side, which direction was Sanjiv facing?

- Ans  1. East  
 2. North  
 3. South  
 4. West

Question ID : 630680507444  
Option 1 ID : 6306801983217  
Option 2 ID : 6306801983219  
Option 3 ID : 6306801983220  
Option 4 ID : 6306801983218  
Status : Answered  
Chosen Option : 2

Q.14 What will come in place of the question marks (?) to make the series given below logically complete?

7, 24, 32, 49, 57, 74, ?

- Ans  1. 82  
 2. 91  
 3. 99  
 4. 98

Question ID : 630680507463  
Option 1 ID : 6306801983293  
Option 2 ID : 6306801983295  
Option 3 ID : 6306801983294  
Option 4 ID : 6306801983296  
Status : Answered  
Chosen Option : 1

Q.15 If 'A' means 'multiplied by', 'B' means 'divided by', 'C' means 'minus' and 'D' means 'plus', then what will be the value of following expression?

11 A 4 C 18 B 6 D 6 = ?

- Ans  1. 51  
 2. 47  
 3. 45  
 4. 42

Question ID : 630680507460  
Option 1 ID : 6306801983284  
Option 2 ID : 6306801983283  
Option 3 ID : 6306801983282  
Option 4 ID : 6306801983281  
Status : Answered  
Chosen Option : 2

Q.16 Based on the statement given below, identify the total amount spent by a university in 10 years.

Statement I:- The University purchased 100 items worth Rs 100 in a month.

Statement II:- The University purchased 20 benches for a total of Rs 100 in a month

- Ans
- 1. Only statement I is required to answer.
  - 2. Both the statements are insufficient to answer.
  - 3. Both Statement I and Statement II are required to answer the question.
  - 4. Only statement II is required to answer.

Question ID : 630680507456  
Option 1 ID : 6306801983265  
Option 2 ID : 6306801983268  
Option 3 ID : 6306801983266  
Option 4 ID : 6306801983267  
Status : Answered  
Chosen Option : 2

Q.17 Which among the following option will replace the question mark on the basis of crop and its type?

Rabi : wheat :: Rice : ?

- Ans
- 1. Both Kharif and Zaid
  - 2. Kharif
  - 3. Zaid
  - 4. Rabi

Question ID : 630680507453  
Option 1 ID : 6306801983256  
Option 2 ID : 6306801983253  
Option 3 ID : 6306801983255  
Option 4 ID : 6306801983254  
Status : Answered  
Chosen Option : 2

Q.18 Which among the following option is correct on the basis of statement and courses of action?

Statement: The wheat crops have been affected by the hail storm for the year 2023- 24 in majority of states in India.

Courses of Action:

I. Compensation should be given only to those farmers whose crops are more than 60 percent rotten.

II. The Government should do a proper survey to find out the percentage of wheat crop being rotten.

- Ans
- 1. Both I and II follow
  - 2. Only II follows
  - 3. Neither I nor II follows
  - 4. Only I follows

Question ID : 630680507458  
Option 1 ID : 6306801983275  
Option 2 ID : 6306801983274  
Option 3 ID : 6306801983276  
Option 4 ID : 6306801983273  
Status : Answered  
Chosen Option : 2

Q.19 If  $K > L > M > N > O$ , then which among the following is biggest in this series?

- Ans
- 1. N
  - 2. K
  - 3. M
  - 4. O

Question ID : 630680507450  
Option 1 ID : 6306801983243  
Option 2 ID : 6306801983241  
Option 3 ID : 6306801983242  
Option 4 ID : 6306801983244  
Status : Answered  
Chosen Option : 2

Q.20 Ranjita is 26th from the top and 8th from the bottom in the class. How many girls are there in the class?

- Ans
- 1. 32
  - 2. 34
  - 3. 36
  - 4. 33

Question ID : 630680507438  
Option 1 ID : 6306801983193  
Option 2 ID : 6306801983195  
Option 3 ID : 6306801983196  
Option 4 ID : 6306801983194  
Status : Answered  
Chosen Option : 4

Q.21 Six women Asmita, Vinni, Chanda, Daya, Neerja, and Roshni are sitting in a row facing north. Chanda is sitting immediately between Asmita and Neerja. Vinni is sitting immediately to the right of Neerja. Roshni is not sitting at the right end of the row. If Daya is sitting at the right end of the row, then who is sitting on the immediate right side of Chanda?

- Ans
- 1. Chanda
  - 2. Daya
  - 3. Neerja
  - 4. Vinni

Question ID : 630680507434  
Option 1 ID : 6306801983178  
Option 2 ID : 6306801983180  
Option 3 ID : 6306801983179  
Option 4 ID : 6306801983177  
Status : Answered  
Chosen Option : 3

Q.22 How is the husband of the only daughter of Salma's father's wife related to Salma's mother?

- Ans  1. Son in law  
 2. Brother  
 3. Father in law  
 4. Son

Question ID : 630680507441  
Option 1 ID : 6306801983207  
Option 2 ID : 6306801983208  
Option 3 ID : 6306801983205  
Option 4 ID : 6306801983206  
Status : Answered  
Chosen Option : 1

Q.23 In a certain code language, SKY is written as 55 and AIR is written as 28. How WATER will be written in the same code?

- Ans  1. 68  
 2. 65  
 3. 66  
 4. 67

Question ID : 630680507439  
Option 1 ID : 6306801983200  
Option 2 ID : 6306801983197  
Option 3 ID : 6306801983198  
Option 4 ID : 6306801983199  
Status : Answered  
Chosen Option : 4

Q.24 How many such numbers are there in the series which are immediately followed by letters?

7 @ F 6 # N ! K % 8 \$ R 4 % G 4 K 6 J @ 8 \$ N

- Ans  1. 2  
 2. 3  
 3. 1  
 4. 4

Question ID : 630680507445  
Option 1 ID : 6306801983221  
Option 2 ID : 6306801983224  
Option 3 ID : 6306801983222  
Option 4 ID : 6306801983223  
Status : Answered  
Chosen Option : 4

Q.25 Six women Asmita, Vinni, Chanda, Daya, Neerja, and Roshni are sitting in a row facing north. Chanda is sitting immediately between Asmita and Neerja. Vinni is sitting immediately to the right of Neerja. Roshni is not sitting at the right end of the row. If Daya is sitting at the right end of the row, then who is sitting between Asmita and Neerja?

Ans  1. Chanda

2. Neerja

3. Vinni

4. Daya

Question ID : 630680507435

Option 1 ID : 6306801983182

Option 2 ID : 6306801983183

Option 3 ID : 6306801983181

Option 4 ID : 6306801983184

Status : Answered

Chosen Option : 1

Q.26 Which among the following option is correct on the basis of the statements and conclusions given below (Statement is based on heights of 5 person namely Sunil, Rahul Rakesh, Vikash, Mansi)?

Statement :-

Sunil>Rahul>Rakesh>Vikash>Mansi

Conclusion I:- Rahul is the shortest.

Conclusion II:- Rahul is the tallest.

Ans  1. Both conclusion I and II

2. Only II conclusion follow

3. Only I conclusion follow

4. Neither conclusion I nor II

Question ID : 630680507451

Option 1 ID : 6306801983247

Option 2 ID : 6306801983246

Option 3 ID : 6306801983245

Option 4 ID : 6306801983248

Status : Answered

Chosen Option : 4



Q.27 Read the given statement(s) and conclusions carefully. Assuming that the information given in the statements is true, even if it appears to be at variance with commonly known facts, decide which of the given conclusions logically follow(s) from the statement(s).

Statements:

No watermelon is cashew.

No cashew is Mango.

Some apple are mango

Conclusion:

I. No Mango is watermelon

II. No mango is cashew

III. Some cashew are watermelon

IV. All mangoes are watermelon

Ans  1. Only II

2. Only I and II

3. Only I

4. Only III and IV

Question ID : 630680507442

Option 1 ID : 6306801983210

Option 2 ID : 6306801983212

Option 3 ID : 6306801983209

Option 4 ID : 6306801983211

Status : Answered

Chosen Option : 1

Q.28 If 'A' means 'multiplied by', 'B' means 'divided by', 'C' means 'minus' and 'D' means "plus", then what will be the value of following expression?

12 A 5 C 16 B 2 D 10 = ?

Ans  1. 66

2. 62

3. 58

4. 70

Question ID : 630680507461

Option 1 ID : 6306801983287

Option 2 ID : 6306801983286

Option 3 ID : 6306801983285

Option 4 ID : 6306801983288

Status : Answered

Chosen Option : 2

Q.29 How many numbers are there in the series which are preceded and followed by symbols?

A @ 5 \$ F H & 9 % L 1 & & L 6 ! N 7 H D A \$ 6

Ans  1. 2

2. 1

3. 0

4. 3

Question ID : 630680507449

Option 1 ID : 6306801983239

Option 2 ID : 6306801983238

Option 3 ID : 6306801983237

Option 4 ID : 6306801983240

Status : Answered

Chosen Option : 1



Q.30 How many such symbols are there in the series which are immediately preceded and followed by numbers?

D # 5 G 6 3 # 7 @ V \$ J 8 % K 3 & H 5 ! N 9 ^

Ans  1. 1

2. 0

3. 3

4. 2

Question ID : 630680507448

Option 1 ID : 6306801983234

Option 2 ID : 6306801983233

Option 3 ID : 6306801983236

Option 4 ID : 6306801983235

Status : Answered

Chosen Option : 1

Q.31 What will come in place of the question marks (?) to make the series given below logically complete?

89, 78, 69, 58, 49, 38, ?

Ans  1. 18

2. 28

3. 37

4. 29

Question ID : 630680507464

Option 1 ID : 6306801983300

Option 2 ID : 6306801983298

Option 3 ID : 6306801983297

Option 4 ID : 6306801983299

Status : Answered

Chosen Option : 4

Q.32 How many such letters are there in the series which are immediately followed by numbers?

\$ R 7 N # 7 J \$ C 2 % N 3 @ 7 H 8 F \$ 7 V # 2

Ans  1. 6

2. 4

3. 5

4. 3

Question ID : 630680507446

Option 1 ID : 6306801983228

Option 2 ID : 6306801983225

Option 3 ID : 6306801983226

Option 4 ID : 6306801983227

Status : Answered

Chosen Option : 2

Q.33 In a class total number of students is 42. From below, Sarita's rank is 26. What is her rank from the top?

- Ans  1. 17  
 2. 20  
 3. 19  
 4. 18

Question ID : 630680507436  
Option 1 ID : 6306801983185  
Option 2 ID : 6306801983188  
Option 3 ID : 6306801983187  
Option 4 ID : 6306801983186  
Status : Answered  
Chosen Option : 1

Q.34 What will come in the place of question marks (??) to make the following series logically complete?

ZA 1, YB 11, XC 111, WD 1111, ??

- Ans  1. UE 11111  
 2. EV 11111  
 3. EU 11111  
 4. VE 11111

Question ID : 630680507457  
Option 1 ID : 6306801983271  
Option 2 ID : 6306801983270  
Option 3 ID : 6306801983272  
Option 4 ID : 6306801983269  
Status : Answered  
Chosen Option : 4

Section : Domain Knowledge

Q.1 Which of the following statement is correct regarding an auto – transformer?

- I. A part of the winding is common to both the primary and secondary circuits  
II. The two windings are not electrically isolated

- Ans  1. Only I  
 2. Neither I nor II  
 3. Only II  
 4. Both I and II

Question ID : 630680506989  
Option 1 ID : 6306801981461  
Option 2 ID : 6306801981464  
Option 3 ID : 6306801981462  
Option 4 ID : 6306801981463  
Status : Answered  
Chosen Option : 4

**Q.2** A step-down dc chopper has a resistive load of  $R = 15\Omega$  and input voltage  $E_{dc} = 200$  V. When the chopper remains ON, its voltage drop is 4.5 V. The chopper frequency is 2 kHz. The duty cycle is 50 percent. Determine Average Output voltage.

- Ans**
- 1. 200 V
  - 2. 97.75 V
  - 3. 98.75 V
  - 4. 101.5 V

Question ID : 630680507070  
Option 1 ID : 6306801981787  
Option 2 ID : 6306801981786  
Option 3 ID : 6306801981785  
Option 4 ID : 6306801981788  
Status : Answered  
Chosen Option : 2

**Q.3** The portable instrument which is generally used for testing of installation insulation resistance is an insulation resistance tester \_\_\_\_\_.

- Ans**
- 1. Wattmeter
  - 2. Galvanometer
  - 3. Voltmeter
  - 4. Megger

Question ID : 630680507035  
Option 1 ID : 6306801981645  
Option 2 ID : 6306801981647  
Option 3 ID : 6306801981646  
Option 4 ID : 6306801981648  
Status : Answered  
Chosen Option : 4

**Q.4** Which of the following statement is correct about distortion factor?

I. The distortion factor indicates the amount of harmonic distortion that remains in a particular waveform after the harmonics of that waveform have been subjected to a second order attenuation

II. Distortion factor is a measure of effectiveness in reducing unwanted harmonics without having to specify the values of a second order load filter

- Ans**
- 1. Only II
  - 2. Neither I nor II
  - 3. Only I
  - 4. Both I and II

Question ID : 630680507064  
Option 1 ID : 6306801981762  
Option 2 ID : 6306801981764  
Option 3 ID : 6306801981761  
Option 4 ID : 6306801981763  
Status : Answered  
Chosen Option : 3

**Q.5** Some outdoor distribution substation transformers are equipped with a tank on the top of the transformer called a \_\_\_\_\_ in which expansion and contraction of the oil takes place.

- Ans**
- 1. conservator
  - 2. reactor
  - 3. insulator
  - 4. conductor

Question ID : 630680507012  
Option 1 ID : 6306801981554  
Option 2 ID : 6306801981555  
Option 3 ID : 6306801981553  
Option 4 ID : 6306801981556  
Status : Answered  
Chosen Option : 1

**Q.6** \_\_\_\_\_ are designed to have both controlled turn-on and turn-off capability.

- Ans**
- 1. Gate turn-off thyristors
  - 2. Fast switching thyristors
  - 3. Phase controlled thyristors
  - 4. Static induction thyristors

Question ID : 630680507058  
Option 1 ID : 6306801981737  
Option 2 ID : 6306801981739  
Option 3 ID : 6306801981738  
Option 4 ID : 6306801981740  
Status : Answered  
Chosen Option : 1

**Q.7** Which of the following statement is correct regarding Divergence Theorem?

I. In electrostatics it is also called Gauss's law

II. The divergence theorem helps us in replacing a surface integral by a volume integral and vice versa

- Ans**
- 1. Only I
  - 2. Neither I nor II
  - 3. Only II
  - 4. Both I and II

Question ID : 630680507048  
Option 1 ID : 6306801981697  
Option 2 ID : 6306801981700  
Option 3 ID : 6306801981698  
Option 4 ID : 6306801981699  
Status : Answered  
Chosen Option : 4

**Q.8** In Potential transformer the secondary winding is designed so that a voltage of \_\_\_\_\_ is delivered to the instrument load.

- Ans**
- 1. 100 to 120 V
  - 2. 160 to 180 V
  - 3. 240 to 260 V
  - 4. 200 to 220 V

Question ID : 630680507042  
Option 1 ID : 6306801981675  
Option 2 ID : 6306801981676  
Option 3 ID : 6306801981673  
Option 4 ID : 6306801981674  
Status : Answered  
Chosen Option : 4

**Q.9** Which of the following is correct regarding distribution transformer?

- I. Distribution transformers connect the primary system (2.4 to 34.5 kV) to the secondary system (480 V and lower)
- II. Distribution transformers may be installed outdoors on overhead poles (pole-mount), outdoors at ground level on pads (padmount transformers), indoors within buildings, or underground in manholes and vaults

- Ans**
- 1. Only I
  - 2. Neither I nor II
  - 3. Both I and II
  - 4. Only II

Question ID : 630680507013  
Option 1 ID : 6306801981557  
Option 2 ID : 6306801981560  
Option 3 ID : 6306801981559  
Option 4 ID : 6306801981558  
Status : Answered  
Chosen Option : 1

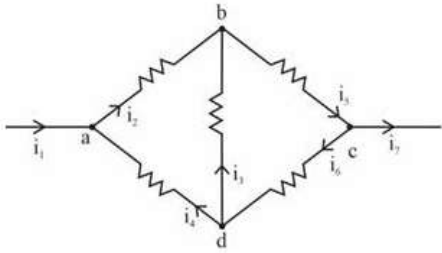
**Q.10** Which of the following is true regarding Kirchhoff's voltage law (KVL)?

- I. The sum of the rises of potential around any closed circuit equals the sum of the drops of potential in that circuit
- II. General expression of KVL is  $\sum_{j=1}^k V_j = 0$  (where,  $V_j$  represent the voltage drop of the element in any given closed circuit which is assumed to have 'k' element)

- Ans**
- 1. Only I
  - 2. Neither I nor II
  - 3. Both I and II
  - 4. Only II

Question ID : 630680507019  
Option 1 ID : 6306801981581  
Option 2 ID : 6306801981584  
Option 3 ID : 6306801981583  
Option 4 ID : 6306801981582  
Status : Answered  
Chosen Option : 3

Q.11 Which of the following equation is correct regarding following circuit diagram?



I. At node 'a'  $i_1 + i_4 = i_2$

II. At node 'c'  $i_5 = i_6 + i_7$

III. At node 'b'  $i_2 + i_3 = i_5$

- Ans
- 1. Only I
  - 2. Only I and III
  - 3. Only I and II
  - 4. I, II and III

Question ID : 630680507020  
Option 1 ID : 6306801981585  
Option 2 ID : 6306801981587  
Option 3 ID : 6306801981586  
Option 4 ID : 6306801981588  
Status : Answered  
Chosen Option : 4

Q.12 The insulating layer between a capacitors plate is commonly called \_\_\_\_\_.

- Ans
- 1. dielectric
  - 2. diode
  - 3. dimagnetic
  - 4. bipolar plate

Question ID : 630680507056  
Option 1 ID : 6306801981729  
Option 2 ID : 6306801981732  
Option 3 ID : 6306801981730  
Option 4 ID : 6306801981731  
Status : Answered  
Chosen Option : 1

**Q.13** Which of the following statement is correct regarding 'The permittivity of medium' in coulomb's law?

I. The permittivity of the medium also called dielectric constant

II. The permittivity of a medium is  $\epsilon = \epsilon_r \epsilon_0$

- Ans**
- 1. Both I and II
  - 2. Neither I nor II
  - 3. Only II
  - 4. Only I

Question ID : 630680507051  
Option 1 ID : 6306801981711  
Option 2 ID : 6306801981712  
Option 3 ID : 6306801981710  
Option 4 ID : 6306801981709  
Status : Answered  
Chosen Option : 1

**Q.14** Which of the following statement is correct?

I. Short-circuit (SC) Test: This test serves the purpose of determining the series parameters of a transformer

II. Open-circuit (OC) or No-load Test: The purpose of this test is to determine the shunt branch parameters of the equivalent circuit of the transformer

- Ans**
- 1. Neither I nor II
  - 2. Only I
  - 3. Both I and II
  - 4. Only II

Question ID : 630680507001  
Option 1 ID : 6306801981512  
Option 2 ID : 6306801981509  
Option 3 ID : 6306801981511  
Option 4 ID : 6306801981510  
Status : Answered  
Chosen Option : 3

**Q.15** Which of the following statement is correct regarding cooling method of transformer?

I. Oil-immersed self-cooled: In this type the whole transformer is immersed in a tank of oil

II. Oil-immersed force cooled: In this type a plain tank is used and oil is cooled artificially, either by tube immersed in oil through which cool water is forced or preferably by circulating the oil by a pump through an extra cooler

- Ans**
- 1. Both I and II
  - 2. Neither I nor II
  - 3. Only I
  - 4. Only II

Question ID : 630680506991  
Option 1 ID : 6306801981471  
Option 2 ID : 6306801981472  
Option 3 ID : 6306801981469  
Option 4 ID : 6306801981470  
Status : Answered  
Chosen Option : 1



Q.16 The dynamometer type wattmeter consists of \_\_\_\_\_ fixed current coils connected in series with the load.

- Ans
- 1. Two
  - 2. Four
  - 3. Three
  - 4. Five

Question ID : 630680507038  
Option 1 ID : 6306801981657  
Option 2 ID : 6306801981659  
Option 3 ID : 6306801981658  
Option 4 ID : 6306801981660  
Status : Answered  
Chosen Option : 1

Q.17 Differential relays are commonly used to protect transformers with ratings larger than \_\_\_\_\_.

- Ans
- 1. 25 MVA
  - 2. 15 MVA
  - 3. 10 MVA
  - 4. 20 MVA

Question ID : 630680507016  
Option 1 ID : 6306801981572  
Option 2 ID : 6306801981570  
Option 3 ID : 6306801981569  
Option 4 ID : 6306801981571  
Status : Not Answered  
Chosen Option : --

Q.18 A relay that operates on the basis of voltage-to-current ratio is called an \_\_\_\_\_.

- Ans
- 1. current relay
  - 2. conductor relay
  - 3. voltage relay
  - 4. impedance relay

Question ID : 630680507015  
Option 1 ID : 6306801981565  
Option 2 ID : 6306801981568  
Option 3 ID : 6306801981566  
Option 4 ID : 6306801981567  
Status : Answered  
Chosen Option : 4



**Q.19** Which of the following is correct regarding transformer oil?

I. Oil used in transformer is of mineral origin and is extracted from natural petroleum

II. The electric strength of oil depends almost entirely on its freedom from moisture and suspended fibrous particle and a test for electric strength is virtually a test for purity in this respect

- Ans**
- 1. Only II
  - 2. Only I
  - 3. Both I and II
  - 4. Neither I nor II

Question ID : 630680507033  
Option 1 ID : 6306801981638  
Option 2 ID : 6306801981637  
Option 3 ID : 6306801981639  
Option 4 ID : 6306801981640  
Status : Answered  
Chosen Option : 2

**Q.20** Which of following statement is correct regarding working of nuclear power stations?

I. A nuclear power station is just like a thermal power station in which the nuclear reactor replaces the steam boiler

II. The fundamental process in a nuclear reactor is the chain reaction of fissile material

- Ans**
- 1. Both I and II
  - 2. Only II
  - 3. Only I
  - 4. Neither I nor II

Question ID : 630680507018  
Option 1 ID : 6306801981579  
Option 2 ID : 6306801981578  
Option 3 ID : 6306801981577  
Option 4 ID : 6306801981580  
Status : Answered  
Chosen Option : 2

**Q.21** Which of following statement is correct regarding working of hydroelectric power stations?

I. Plant is simpler and maintenance is minimum

II. The running charges of stations are very small

- Ans**
- 1. Only II
  - 2. Neither I nor II
  - 3. Both I and II
  - 4. Only I

Question ID : 630680507017  
Option 1 ID : 6306801981574  
Option 2 ID : 6306801981576  
Option 3 ID : 6306801981575  
Option 4 ID : 6306801981573  
Status : Answered  
Chosen Option : 1

Q.22 In half-bridge inverter what is the value of root-mean-square (rms) output voltage? (where  $V_s$  = reverse voltage)

Ans

1.  $V_0 = \frac{V_s}{4}$

2.  $V_0 = 4V_s$

3.  $V_0 = 2V_s$

4.  $V_0 = \frac{V_s}{2}$

Question ID : 630680507063

Option 1 ID : 6306801981758

Option 2 ID : 6306801981760

Option 3 ID : 6306801981759

Option 4 ID : 6306801981757

Status : Answered

Chosen Option : 4

Q.23 Which of the following statement is correct?

I. Transient response of an electrical circuit can best be described by a linear differential equation

II. Laplace transformation is a very powerful method of solving linear differential equations

Ans

1. Only II

2. Neither I nor II

3. Both I and II

4. Only I

Question ID : 630680507025

Option 1 ID : 6306801981606

Option 2 ID : 6306801981608

Option 3 ID : 6306801981607

Option 4 ID : 6306801981605

Status : Answered

Chosen Option : 3

Q.24 Which of the following statement is correct regarding 'Divergence Theorem'?

I. The divergence theorem applies to any volume 'V' that is bounded by surface 'S'

II. The direction of 'ds' is always that of the outward normal, perpendicular to the surface 'ds' and directed away from the volume

Ans

1. Neither I nor II

2. Only II

3. Both I and II

4. Only I

Question ID : 630680507047

Option 1 ID : 6306801981696

Option 2 ID : 6306801981694

Option 3 ID : 6306801981695

Option 4 ID : 6306801981693

Status : Answered

Chosen Option : 2

**Q.25** A step-up chopper is used to deliver load voltage of 400 V from a 200 V d.c. source, if the blocking period of the thyristor is 80  $\mu$ s, compute the required pulse width.

- Ans**
- 1. 80  $\mu$ s
  - 2. 160  $\mu$ s
  - 3. 500  $\mu$ s
  - 4. 200  $\mu$ s

Question ID : **630680507066**  
Option 1 ID : **6306801981770**  
Option 2 ID : **6306801981769**  
Option 3 ID : **6306801981772**  
Option 4 ID : **6306801981771**  
Status : **Answered**  
Chosen Option : **1**

**Q.26** Which of the following is correct regarding Laplace transform?

I. Laplace transformation also provides the direct solution of non-homogenous differential equations

II. This method automatically takes care of initial conditions without the necessity of first determining the general solution and then obtain from it a particular solution

- Ans**
- 1. Only II
  - 2. Both I and II
  - 3. Neither I nor II
  - 4. Only I

Question ID : **630680507026**  
Option 1 ID : **6306801981610**  
Option 2 ID : **6306801981611**  
Option 3 ID : **6306801981612**  
Option 4 ID : **6306801981609**  
Status : **Answered**  
Chosen Option : **2**

**Q.27** Ampere's circuital law is analogous to gauss's law in electrostatics and is very helpful in determining the magnetic field around a current carrying conductor for \_\_\_\_\_ configurations.

- Ans**
- 1. variable
  - 2. constant
  - 3. symmetrical
  - 4. asymmetrical

Question ID : **630680507054**  
Option 1 ID : **6306801981721**  
Option 2 ID : **6306801981724**  
Option 3 ID : **6306801981722**  
Option 4 ID : **6306801981723**  
Status : **Not Answered**  
Chosen Option : **--**

Q.28 Maximum efficiency in Transformer occurs when \_\_\_\_\_.

- Ans
- 1. variable ohmic loss  $\times$  fixed core loss = 1
  - 2. variable ohmic loss = fixed core loss
  - 3. variable ohmic loss – fixed core loss = 1
  - 4. variable ohmic loss + fixed core loss = 1

Question ID : 630680506988  
Option 1 ID : 6306801981460  
Option 2 ID : 6306801981457  
Option 3 ID : 6306801981458  
Option 4 ID : 6306801981459  
Status : Answered  
Chosen Option : 2

Q.29 HVDC transmission system needs only \_\_\_\_\_ conductors and therefore the power losses in a DC line are lesser than the losses in AC line of the same power transfer capability.

- Ans
- 1. Two
  - 2. Five
  - 3. Four
  - 4. Three

Question ID : 630680507004  
Option 1 ID : 6306801981521  
Option 2 ID : 6306801981524  
Option 3 ID : 6306801981523  
Option 4 ID : 6306801981522  
Status : Answered  
Chosen Option : 1

Q.30 In the frequency domain network having 'n-principal' nodes one of them is designated as the reference node and we require \_\_\_\_\_ node voltage equation to solve for the desired result.

- Ans
- 1. (n-2)
  - 2. n
  - 3. (n-3)
  - 4. (n-1)

Question ID : 630680507032  
Option 1 ID : 6306801981635  
Option 2 ID : 6306801981633  
Option 3 ID : 6306801981636  
Option 4 ID : 6306801981634  
Status : Answered  
Chosen Option : 4

**Q.31** Which of the following method is the method of measurement of high resistance?

I. Direct deflection method

II. Megohm bridge

- Ans**
- 1. Only II
  - 2. Neither I nor II
  - 3. Only I
  - 4. Both I and II

Question ID : 630680507045  
Option 1 ID : 6306801981686  
Option 2 ID : 6306801981688  
Option 3 ID : 6306801981685  
Option 4 ID : 6306801981687  
Status : Not Answered  
Chosen Option : --

**Q.32** Which of the following pair is correct?

I. Squirrel cage induction motor – maintenance is very low

II. Slipring induction motor – maintenance is high because there are brushes, brush gears etc.

- Ans**
- 1. Both I and II
  - 2. Only II
  - 3. Neither I nor II
  - 4. Only I

Question ID : 630680506993  
Option 1 ID : 6306801981479  
Option 2 ID : 6306801981478  
Option 3 ID : 6306801981480  
Option 4 ID : 6306801981477  
Status : Answered  
Chosen Option : 1

**Q.33** Which of the following is correct regarding Potential transformer?

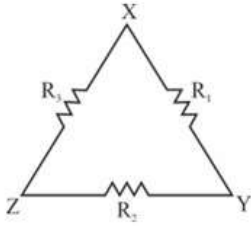
I. Potential transformer are used to operate voltmeters, the potential coils of wattmeters and relays from high voltage lines

II. The design of a potential transformer is quite similar to that of a power transformer but the loading of a potential transformer is always small, sometimes only a few volt-ampere

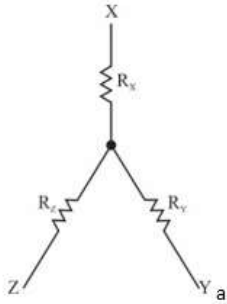
- Ans**
- 1. Neither I nor II
  - 2. Only I
  - 3. Only II
  - 4. Both I and II

Question ID : 630680507041  
Option 1 ID : 6306801981672  
Option 2 ID : 6306801981669  
Option 3 ID : 6306801981670  
Option 4 ID : 6306801981671  
Status : Answered  
Chosen Option : 4

Q.34 If the resistance in 'Δ' connected resistive network is  $R_1, R_2, R_3$  as shown in the figure,



then what will be the value of resistance ' $R_x$ ' in equivalent star network like?



Ans

1.  $R_X = \frac{R_1 R_2}{R_1 + R_2 + R_3}$

2.  $R_X = \frac{R_1 R_3}{R_1 + R_2 + R_3}$

3.  $R_X = R_Y = R_Z$

4.  $R_X = \frac{R_2 R_3}{R_1 + R_2 + R_3}$

Question ID : 630680507024

Option 1 ID : 6306801981602

Option 2 ID : 6306801981601

Option 3 ID : 6306801981604

Option 4 ID : 6306801981603

Status : Answered

Chosen Option : 2

Q.35 A chopper circuit is operating on TRC principle at a frequency of 80 Hz on a 20 V d.c supply. If the load voltage is 200 V, compute the conduction period of thyristor in each cycle.

1. 0.5s

2. 0.20s

3. 0.125s

4. 0.45s

Question ID : 630680507067

Option 1 ID : 6306801981773

Option 2 ID : 6306801981774

Option 3 ID : 6306801981775

Option 4 ID : 6306801981776

Status : Answered

Chosen Option : 3



Q.36 Directional relays are designed to operate for fault currents in only \_\_\_\_\_.

- Ans
- 1. four direction
  - 2. one direction
  - 3. three direction
  - 4. two direction

Question ID : 630680507014  
Option 1 ID : 6306801981564  
Option 2 ID : 6306801981561  
Option 3 ID : 6306801981563  
Option 4 ID : 6306801981562  
Status : Answered  
Chosen Option : 4

Q.37 Which of the following statement is true about Thyristor?

- I. A thyristor is a four layer semiconductor device of pnpn structure with three p n- junctions
- II. It has three terminals anode, cathode, and gate

- Ans
- 1. Both I and II
  - 2. Only I
  - 3. Only II
  - 4. Neither I nor II

Question ID : 630680507059  
Option 1 ID : 6306801981743  
Option 2 ID : 6306801981741  
Option 3 ID : 6306801981742  
Option 4 ID : 6306801981744  
Status : Answered  
Chosen Option : 1

Q.38 The cardinal requirements for transformer oil are \_\_\_\_\_ and freedom from tendency to sludging.

- Ans
- 1. high electric strength
  - 2. constant electric strength
  - 3. low electric strength
  - 4. zero electric strength

Question ID : 630680507034  
Option 1 ID : 6306801981641  
Option 2 ID : 6306801981644  
Option 3 ID : 6306801981642  
Option 4 ID : 6306801981643  
Status : Answered  
Chosen Option : 1

**Q.39** The auto-transformer is cheaper in cost, since there is a saving in copper as compared to a conventional two-winding transformer, it can be proved as follows \_\_\_\_\_.

**Ans**  1.

The volume of copper used = (cross-sectional area) + (length of the conductor used for windings)

2.

The volume of copper used = (cross-sectional area) – (length of the conductor used for windings)

3.

The volume of copper used = (cross-sectional area) / (length of the conductor used for windings)

4.

The volume of copper used = (cross-sectional area) × (length of the conductor used for windings)

Question ID : 630680506990

Option 1 ID : 6306801981467

Option 2 ID : 6306801981466

Option 3 ID : 6306801981468

Option 4 ID : 6306801981465

Status : Answered

Chosen Option : 4

**Q.40** Which of following statement is correct regarding De Sauty's Bridge?

I. The bridge is the simplest method of comparing two capacitances.

II. The advantage of the De Sauty's Bridge is its simplicity but this advantage is nullified by the fact that it is impossible to obtain balance if both the capacitors are not free from di-electric loss

**Ans**  1. Only II

2. Neither I nor II

3. Both I and II

4. Only I

Question ID : 630680507043

Option 1 ID : 6306801981678

Option 2 ID : 6306801981680

Option 3 ID : 6306801981679

Option 4 ID : 6306801981677

Status : Not Answered

Chosen Option : --

**Q.41** Choose the correct pair.

I. Power MOSFET – It is a voltage controlled device and requires only a small input current

II. IGBT – There is no second breakdown problem as with BJTs

**Ans**  1. Both I and II

2. Only I

3. Neither I nor II

4. Only II

Question ID : 630680507061

Option 1 ID : 6306801981751

Option 2 ID : 6306801981749

Option 3 ID : 6306801981752

Option 4 ID : 6306801981750

Status : Answered

Chosen Option : 2



Q.42 \_\_\_\_\_ are used in automobiles as starter motors.

- Ans
- 1. Compound motors
  - 2. Series motors
  - 3. Permanent magnet DC motors
  - 4. Shunt motors

Question ID : 630680507002  
Option 1 ID : 6306801981515  
Option 2 ID : 6306801981514  
Option 3 ID : 6306801981516  
Option 4 ID : 6306801981513  
Status : Answered  
Chosen Option : 2

Q.43 Assertion(A) : An IGBT combines the advantages of BJTs and MOSFETs.

Reason(R) : An IGBT has high input impedance, like-MOSFETs and low on-state conduction losses like BJTs.

- Ans
- 1. Both A and R is true, and R is not the correct explanation of A.
  - 2. Both A and R is true, and R is the correct explanation of A.
  - 3. A is false but R is true.
  - 4. A is true but R is false.

Question ID : 630680507060  
Option 1 ID : 6306801981746  
Option 2 ID : 6306801981747  
Option 3 ID : 6306801981748  
Option 4 ID : 6306801981745  
Status : Answered  
Chosen Option : 2

Q.44 Laplace transformation of a function  $f(t)$  is defined as \_\_\_\_\_.

- Ans
- 1.  $\int_0^{\infty} \frac{1}{f(t)e^{st}} dt$
  - 2.  $\int_0^{\infty} f(t) e^{-st} dt$
  - 3.  $\int_0^{\infty} f(t) e^{st} dt$
  - 4.  $\int_0^{\infty} \frac{1}{f(t)e^{-st}} dt$

Question ID : 630680507027  
Option 1 ID : 6306801981616  
Option 2 ID : 6306801981613  
Option 3 ID : 6306801981614  
Option 4 ID : 6306801981615  
Status : Answered  
Chosen Option : 2

Q.45 Laplace transform of exponential function is described by \_\_\_\_\_.

- Ans
- ✓ 1.  $f(t) = e^{-at}$
  - ✗ 2.  $f(t) = \frac{1}{e^{at}}$
  - ✗ 3.  $f(t) = e^{at}$
  - ✗ 4.  $f(t) = \frac{1}{e^{-at}}$

Question ID : 630680507028  
Option 1 ID : 6306801981617  
Option 2 ID : 6306801981620  
Option 3 ID : 6306801981618  
Option 4 ID : 6306801981619  
Status : Answered  
Chosen Option : 3

Q.46 Compound DC motors are used for \_\_\_\_\_.

- I. Pulsating loads needing flywheel action
- II. Plunger pumps
- III. Shears and conveyors

- Ans
- ✗ 1. Only I and II
  - ✗ 2. Only I and III
  - ✓ 3. I, II and III
  - ✗ 4. Only I



Question ID : 630680506997  
Option 1 ID : 6306801981494  
Option 2 ID : 6306801981495  
Option 3 ID : 6306801981496  
Option 4 ID : 6306801981493  
Status : Answered  
Chosen Option : 3

Q.47 A chopper circuit is operating on TRC principle at a frequency of 2 Hz on a 220 V d.c supply. If the load voltage is 170 V, compute the chopping period of thyristor in each cycle.

- Ans
- ✗ 1. 0.25s
  - ✗ 2. 3s
  - ✗ 3. 2s
  - ✓ 4. 0.5s

Question ID : 630680507068  
Option 1 ID : 6306801981779  
Option 2 ID : 6306801981780  
Option 3 ID : 6306801981777  
Option 4 ID : 6306801981778  
Status : Not Attempted and Marked For Review  
Chosen Option : --

**Q.48** Many distribution substation transformers have Load tap changers (LTCs) because \_\_\_\_\_.

**Ans**  1.

Load tap changers (LTCs) manually regulate frequency levels based on loading conditions

2.

Load tap changers (LTCs) automatically regulate voltage levels based on loading conditions

3.

Load tap changers (LTCs) does not regulate voltage levels based on loading conditions

4.

Load tap changers (LTCs) manually regulate voltage levels based on loading conditions

Question ID : 630680507011

Option 1 ID : 6306801981552

Option 2 ID : 6306801981549

Option 3 ID : 6306801981551

Option 4 ID : 6306801981550

Status : Answered

Chosen Option : 4

**Q.49** Which of the following pair is correct?

I. Single-pulse-width modulation control – There is only one pulse per half cycle and the width of the pulse is varied to control the inverter output voltage

II. Multiple-pulse-width modulation – The harmonic content can be reduced by using several pulses in each half-cycle of output voltage

**Ans**  1. Only II

2. Both I and II

3. Neither I nor II

4. Only I

Question ID : 630680507062

Option 1 ID : 6306801981754

Option 2 ID : 6306801981755

Option 3 ID : 6306801981756

Option 4 ID : 6306801981753

Status : Answered

Chosen Option : 2

**Q.50** In DC series motor the starting torque is very high, up to \_\_\_\_\_ the full-load torque.

**Ans**  1. three times

2. five times

3. two times

4. four times

Question ID : 630680506995

Option 1 ID : 6306801981486

Option 2 ID : 6306801981488

Option 3 ID : 6306801981485

Option 4 ID : 6306801981487

Status : Answered

Chosen Option : 2

Q.51 A DC shunt motor has a \_\_\_\_\_ starting torque.

- Ans
- 1. minimum
  - 2. zero
  - 3. medium
  - 4. maximum

Question ID : 630680506996  
Option 1 ID : 6306801981490  
Option 2 ID : 6306801981492  
Option 3 ID : 6306801981489  
Option 4 ID : 6306801981491  
Status : Answered  
Chosen Option : 1

Q.52 Which of the following is stated as 'final value theorem'?

- Ans
- 1.  $\lim_{s \rightarrow \infty} [sF(s)] = \lim_{t \rightarrow 0} f(t)$
  - 2.  $\lim_{s \rightarrow \infty} [sF(s)] = \lim_{t \rightarrow 0} \frac{1}{f(f)}$
  - 3.  $\lim_{s \rightarrow 0} [sF(s)] = \lim_{t \rightarrow \infty} \frac{1}{f(f)}$
  - 4.  $\lim_{s \rightarrow 0} [sF(s)] = \lim_{t \rightarrow \infty} f(t)$

Question ID : 630680507030  
Option 1 ID : 6306801981626  
Option 2 ID : 6306801981627  
Option 3 ID : 6306801981628  
Option 4 ID : 6306801981625  
Status : Answered  
Chosen Option : 4

Q.53 The corona loss is directly proportional to \_\_\_\_\_ where 'f' is the supply frequency, so corona loss in DC system are lesser than those in AC systems for the same conductor diameter and operating voltage.

- Ans
- 1.  $1/(f - 25)$
  - 2.  $1/(f + 25)$
  - 3.  $(f - 25)$
  - 4.  $(f + 25)$

Question ID : 630680507005  
Option 1 ID : 6306801981528  
Option 2 ID : 6306801981527  
Option 3 ID : 6306801981525  
Option 4 ID : 6306801981526  
Status : Answered  
Chosen Option : 4

**Q.54** In determining the relative polarity of the two-windings of a transformer the two windings are connected in \_\_\_\_\_ while one of the windings is excited from a suitable voltage source.

- Ans**
- 1. parallel across a voltmeter
  - 2. series across a voltmeter
  - 3. series across with galvanometer
  - 4. parallel across with galvanometer

Question ID : 630680507000  
Option 1 ID : 6306801981506  
Option 2 ID : 6306801981505  
Option 3 ID : 6306801981507  
Option 4 ID : 6306801981508  
Status : Answered  
Chosen Option : 2

**Q.55** Which of the following statement is correct about Slipring induction motor?

- I. Starting torque is higher and is three times the full load torque
- II. Starting current is lower and is two times the full load current

- Ans**
- 1. Only II
  - 2. Neither I nor II
  - 3. Only I
  - 4. Both I and II

Question ID : 630680506994  
Option 1 ID : 6306801981482  
Option 2 ID : 6306801981484  
Option 3 ID : 6306801981481  
Option 4 ID : 6306801981483  
Status : Answered  
Chosen Option : 3

**Q.56** Which of the following statement is correct about IGBT?

- I. The switching speed of IGBTs is inferior to that of MOSFETs.
- II. IGBTs are finding increasing applications in medium-power applications such as dc and ac motor drives, power supplies, solid-state relays and contractors.

- Ans**
- 1. Both I and II
  - 2. Neither I nor II
  - 3. Only I
  - 4. Only II

Question ID : 630680507072  
Option 1 ID : 6306801981795  
Option 2 ID : 6306801981796  
Option 3 ID : 6306801981793  
Option 4 ID : 6306801981794  
Status : Answered  
Chosen Option : 1



**Q.57** Which of the following statement is correct regarding Induction type wattmeter?

I. Induction type wattmeter consists of two electromagnets

II. A thin aluminium disc is mounted between two magnets

- Ans**
- 1. Both I and II
  - 2. Neither I nor II
  - 3. Only II
  - 4. Only I

Question ID : 630680507039  
Option 1 ID : 6306801981663  
Option 2 ID : 6306801981664  
Option 3 ID : 6306801981662  
Option 4 ID : 6306801981661  
Status : Answered  
Chosen Option : 1

**Q.58** Which of the following is correct regarding secondary distribution?

I. Secondary distribution distributes energy at customer utilization voltages from distribution transformers up to meters at customer's premises

II. In residential areas, 120/240-V, single-phase, three-wire service is the most common, where lighting loads and outlets are supplied by 120-V, single-phase connections, and large household appliances such as electric ranges, clothes dryers, water heaters, and electric space heating are supplied by 240-V, single-phase connections

- Ans**
- 1. Neither I nor II
  - 2. Only I
  - 3. Only II
  - 4. Both I and II

Question ID : 630680507010  
Option 1 ID : 6306801981548  
Option 2 ID : 6306801981545  
Option 3 ID : 6306801981546  
Option 4 ID : 6306801981547  
Status : Answered  
Chosen Option : 4

**Q.59** In the context of megger, the voltage range of the instrument can be controlled by a voltage selector switch. This can be done by \_\_\_\_\_ with the current coil.

- Ans**
- 1. varying resistance 'r' connected in parallel
  - 2. varying resistance 'r' connected in series
  - 3. constant resistance 'r' connected in parallel
  - 4. constant resistance 'r' connected in series

Question ID : 630680507037  
Option 1 ID : 6306801981654  
Option 2 ID : 6306801981653  
Option 3 ID : 6306801981656  
Option 4 ID : 6306801981655  
Status : Answered  
Chosen Option : 2

**Q.60** Which of the following statement is correct about capacitors?

- I. The capacitors sometimes referred to as a condenser, is a simple passive device that is used to store electricity
- II. Due to insulating layer DC current cannot flow through the capacitor as it blocks it allowing instead a voltage to be present across the plates in the form of an electrical charge

- Ans**
- 1. Only II
  - 2. Neither I nor II
  - 3. Only I
  - 4. Both I and II

Question ID : 630680507057  
Option 1 ID : 6306801981734  
Option 2 ID : 6306801981736  
Option 3 ID : 6306801981733  
Option 4 ID : 6306801981735  
Status : Answered  
Chosen Option : 4

**Q.61** What is the S.I. unit of the permittivity of the medium in Coulomb's law?

- Ans**
- 1. F.m
  - 2.  $\frac{F}{m^2}$
  - 3. F.m<sup>2</sup>
  - 4.  $\frac{F}{m}$

Question ID : 630680507050  
Option 1 ID : 6306801981705  
Option 2 ID : 6306801981708  
Option 3 ID : 6306801981706  
Option 4 ID : 6306801981707  
Status : Answered  
Chosen Option : 4

**Q.62** Which of the following statement is correct regarding DC shunt motor?

- I. At low speeds, DC shunt motors are comparable with synchronous motors.
- II. The outstanding feature of a DC shunt motor however is its superb wide range flexible speed control above and below the base speed using solid-state controlled rectifiers.

- Ans**
- 1. Both I and II
  - 2. Only II
  - 3. Neither I nor II
  - 4. Only I

Question ID : 630680506998  
Option 1 ID : 6306801981499  
Option 2 ID : 6306801981498  
Option 3 ID : 6306801981500  
Option 4 ID : 6306801981497  
Status : Answered  
Chosen Option : 2

**Q.63** Which of the following statement is correct regarding 'Mesh Analysis'?

I. The mesh current analysis technique is applied for all networks with independent sources or networks with dependent sources where the controlling variables are not a part of the network under investigation

II. If the controlling variable is part of the network being examined additional care must be taken when applying the mesh current analysis technique

- Ans**
- 1. Only II
  - 2. Neither I nor II
  - 3. Both I and II
  - 4. Only I

Question ID : 630680507031  
Option 1 ID : 6306801981630  
Option 2 ID : 6306801981632  
Option 3 ID : 6306801981631  
Option 4 ID : 6306801981629  
Status : Answered  
Chosen Option : 2

**Q.64** The ratio of voltage across the whole string and the product of the number of units and voltage across the unit nearest to the line conductor is known as \_\_\_\_\_.

- Ans**
- 1. string efficiency
  - 2. shunt capacitance
  - 3. stray capacitance
  - 4. individual efficiency

Question ID : 630680507009  
Option 1 ID : 6306801981541  
Option 2 ID : 6306801981543  
Option 3 ID : 6306801981542  
Option 4 ID : 6306801981544  
Status : Answered  
Chosen Option : 1

**Q.65** Which of the following is correct about Power MOSFET?

I. The switching speed is very high and the switching times are of the order of nano-seconds.

II. Power MOSFETs find increasing applications in low-power high frequency converters.

- Ans**
- 1. Both I and II
  - 2. Neither I nor II
  - 3. Only I
  - 4. Only II

Question ID : 630680507071  
Option 1 ID : 6306801981791  
Option 2 ID : 6306801981792  
Option 3 ID : 6306801981789  
Option 4 ID : 6306801981790  
Status : Answered  
Chosen Option : 1



**Q.66** Which of the following is the integral form of Biot-Savart law? (where  $Idl$  = Current  $I$  passing from an infinitesimal small length of conductor  $dl$ ;  $\hat{1}_r$  = Unit vector from the current element  $Idl$  towards the point of interest;  $H$  = Magnetic field intensity;  $r$  = Distance between the current element and the point)

**Ans**

✗ 1.  $H = \oint \frac{Idl \times \hat{1}_r}{\pi r^2}$

✗ 2.  $H = \oint Idl \times \hat{1}_r \times 4\pi r^2$

✓ 3.  $H = \oint \frac{Idl \times \hat{1}_r}{4\pi r^2}$

✗ 4.  $H = \oint \frac{Idl \times \hat{1}_r}{2\pi r^2}$

Question ID : 630680507052

Option 1 ID : 6306801981715

Option 2 ID : 6306801981716

Option 3 ID : 6306801981713

Option 4 ID : 6306801981714

Status : Answered

Chosen Option : 4

**Q.67** Which of the following equation is correct regarding divergence theorem?

**Ans**

✗ 1.  $\int_s (\nabla \cdot A) ds = \int_v A \cdot dv$

✗ 2.  $\int_v (\nabla \cdot \frac{1}{A}) dv = \int_s \frac{1}{A} \cdot ds$

✓ 3.  $\int_v (\nabla \cdot A) dv = \int_s A \cdot ds$

✗ 4.  $\int_v (\nabla \cdot \frac{1}{A}) dv = \int_s A \cdot d$

Question ID : 630680507046

Option 1 ID : 6306801981690

Option 2 ID : 6306801981691

Option 3 ID : 6306801981689

Option 4 ID : 6306801981692

Status : Answered

Chosen Option : 1

Q.68 Which of the following statement is correct regarding Ampere's circuital law?

I. The law can be applied inside a conductor or outside it but total current enclosed by the path should be known

II. The law is applicable for line currents, sheet currents or volume currents

- Ans
- 1. Only II
  - 2. Neither I nor II
  - 3. Both I and II
  - 4. Only I

Question ID : 630680507055  
Option 1 ID : 6306801981726  
Option 2 ID : 6306801981728  
Option 3 ID : 6306801981727  
Option 4 ID : 6306801981725  
Status : Answered  
Chosen Option : 3

Q.69 Ampere's circuital law states that

\_\_\_\_\_.

- Ans
- 1. the line integral of  $h$  along any closed path is exactly opposite to the direct current enclosed by the path
  - 2. the line integral of  $h$  along any closed path is exactly opposite to the indirect current enclosed by the path
  - 3. the line integral of  $h$  along any closed path is exactly equal to the direct current enclosed by the path
  - 4. the line integral of  $h$  along any closed path is exactly equal to the indirect current enclosed by the path

Question ID : 630680507053  
Option 1 ID : 6306801981718  
Option 2 ID : 6306801981720  
Option 3 ID : 6306801981717  
Option 4 ID : 6306801981719  
Status : Answered  
Chosen Option : 3

Q.70 Current transformers are always used with the \_\_\_\_\_ closed through ammeters, wattmeter current coils, or relay coils.

- Ans
- 1. primary winding circuit
  - 2. secondary winding circuit
  - 3. galvanometer
  - 4. voltmeter

Question ID : 630680507040  
Option 1 ID : 6306801981666  
Option 2 ID : 6306801981665  
Option 3 ID : 6306801981667  
Option 4 ID : 6306801981668  
Status : Answered  
Chosen Option : 1

Q.71 \_\_\_\_\_ is a measure of closeness in shape between a waveform and its fundamental component.

- Ans
- 1. Phase modulation
  - 2. Pulse factor
  - 3. Harmonic factor
  - 4. Total harmonic distortion

Question ID : 630680507065  
Option 1 ID : 6306801981768  
Option 2 ID : 6306801981767  
Option 3 ID : 6306801981765  
Option 4 ID : 6306801981766  
Status : Answered  
Chosen Option : 4

Q.72 In slip-ring motors the starting current is \_\_\_\_\_ and the starting torque simultaneously \_\_\_\_\_ by adding an external resistance in the rotor circuit.

- Ans
- 1. increased, reduced
  - 2. increased, increased
  - 3. reduced, increased
  - 4. reduced, reduced

Question ID : 630680506999  
Option 1 ID : 6306801981504  
Option 2 ID : 6306801981503  
Option 3 ID : 6306801981501  
Option 4 ID : 6306801981502  
Status : Answered  
Chosen Option : 4

Q.73 Which of the following statement is correct?

I. A node is a junction of two or more branches of an electrical network

II. KCL also indicates the law of conservation of charges and can also be stated as at any node of a circuit, at every instant of time, the sum of incoming currents is equal to the sum of outgoing currents

- Ans
- 1. Only II
  - 2. Both I and II
  - 3. Neither I nor II
  - 4. Only I

Question ID : 630680507021  
Option 1 ID : 6306801981590  
Option 2 ID : 6306801981591  
Option 3 ID : 6306801981592  
Option 4 ID : 6306801981589  
Status : Answered  
Chosen Option : 2

Q.74 Which of the following is the method of measurement of low resistance?

I. Kelvin's double bridge method

II. Potentiometer method

Ans  1. Both I and II

2. Only I

3. Neither I nor II

4. Only II

Question ID : 630680507044

Option 1 ID : 6306801981683

Option 2 ID : 6306801981681

Option 3 ID : 6306801981684

Option 4 ID : 6306801981682

Status : Answered

Chosen Option : 2

Q.75 Which of the following is known as Spool insulators?

Ans  1. Pin Type insulators

2. Post insulators

3. Strain insulators

4. Shackle insulators

Question ID : 630680507008

Option 1 ID : 6306801981540

Option 2 ID : 6306801981539

Option 3 ID : 6306801981537

Option 4 ID : 6306801981538

Status : Not Answered

Chosen Option : --

Q.76 \_\_\_\_\_ are of egg shape also called strain or guy insulators, and are used in guy cables, where it is necessary to insulate the lower part of the guy cable from the pole for safety of people and animals on the ground.

Ans  1. Pin Type insulators

2. Shackle insulators

3. Stay insulators

4. Post insulators

Question ID : 630680507007

Option 1 ID : 6306801981536

Option 2 ID : 6306801981534

Option 3 ID : 6306801981533

Option 4 ID : 6306801981535

Status : Not Answered

Chosen Option : --

Q.77 The principle of \_\_\_\_\_ is particularly adapted to application in portable instruments measuring insulation resistance.

- Ans
- 1. ratiometer voltmeters
  - 2. ratiometer ohmmeters
  - 3. ratiometer galvanometers
  - 4. ratiometer ammeters

Question ID : 630680507036  
Option 1 ID : 6306801981650  
Option 2 ID : 6306801981649  
Option 3 ID : 6306801981652  
Option 4 ID : 6306801981651  
Status : Answered  
Chosen Option : 1

Q.78 In a 110 V dc chopper drive using the CLC scheme, the maximum possible value of accelerating current is 200 A, the lower limit of the current pulsation is 140 A. The ON and OFF periods are 15 ms and 12 ms respectively. Calculate the chopping frequency.

- Ans
- 1. 1/27 Hz
  - 2. 12 Hz
  - 3. 15 Hz
  - 4. 27 Hz

Question ID : 630680507069  
Option 1 ID : 6306801981784  
Option 2 ID : 6306801981783  
Option 3 ID : 6306801981782  
Option 4 ID : 6306801981781  
Status : Answered  
Chosen Option : 1

Q.79 Which of the following equation is stated as 'initial value theorem'?

- Ans
- 1.  $f(0+) = \lim_{s \rightarrow 0} \left[ \frac{F(s)}{s} \right]$
  - 2.  $f(0+) = \lim_{s \rightarrow \infty} [sF(s)]$
  - 3.  $f(0+) = \lim_{s \rightarrow 0} [sF(s)]$
  - 4.  $f(0+) = \lim_{s \rightarrow \infty} \left[ \frac{F(s)}{s} \right]$

Question ID : 630680507029  
Option 1 ID : 6306801981624  
Option 2 ID : 6306801981621  
Option 3 ID : 6306801981622  
Option 4 ID : 6306801981623  
Status : Answered  
Chosen Option : 2

Q.80 Which of the following is the advantage of HVDC transmission?

I. Rapid change of Energy flow

II. Negligible sheath loss

III. No skin effect

- Ans
- 1. Only I and III
  - 2. Only I
  - 3. Only I and II
  - 4. I, II and III

Question ID : 630680507003

Option 1 ID : 6306801981519

Option 2 ID : 6306801981517

Option 3 ID : 6306801981518

Option 4 ID : 6306801981520

Status : **Not Attempted and  
Marked For Review**

Chosen Option : --

Q.81 Which of the following statement is correct regarding usage of insulator in transmission?

I. Insulators provide proper insulation and necessary clearances against the highest voltage in worst atmospheric condition

II. The insulators also prevent short circuiting between the different phase conductors and provide necessary mechanical support for the line conductors

- Ans
- 1. Neither I nor II
  - 2. Both I and II
  - 3. Only II
  - 4. Only I

Question ID : 630680507006

Option 1 ID : 6306801981532

Option 2 ID : 6306801981531

Option 3 ID : 6306801981530

Option 4 ID : 6306801981529

Status : **Answered**

Chosen Option : 2





Q.82 Which of the following is correct statement?

I. Star connection also be termed as 'T' connection

II. Delta connection can be termed as ' $\pi$ '(pie) connection

- Ans
- 1. Neither I nor II
  - 2. Only II
  - 3. Only I
  - 4. Both I and II

Question ID : 630680507023  
Option 1 ID : 6306801981600  
Option 2 ID : 6306801981598  
Option 3 ID : 6306801981597  
Option 4 ID : 6306801981599  
Status : Answered  
Chosen Option : 4

Q.83 According to Coulomb's law which of the following statement is correct?

I. The direction of force is along the line joining the charges

II. The force depends upon the medium in which the charges are placed.

- Ans
- 1. Both I and II
  - 2. Only I
  - 3. Neither I nor II
  - 4. Only II

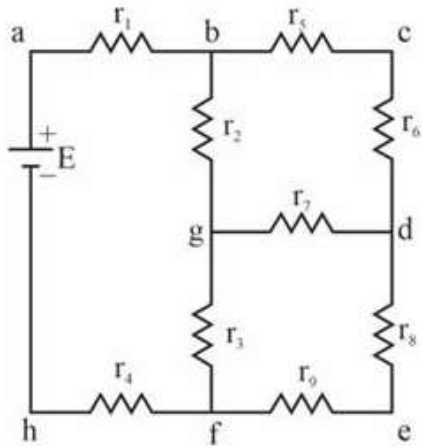
Question ID : 630680507049  
Option 1 ID : 6306801981703  
Option 2 ID : 6306801981701  
Option 3 ID : 6306801981704  
Option 4 ID : 6306801981702  
Status : Answered  
Chosen Option : 1



Q.84 In given circuit diagram, determine the number of –

I. Junction points

II. Meshes



- Ans
- 1. 4, 2
  - 2. 4, 3
  - 3. 6, 2
  - 4. 7, 3

Question ID : 630680507022  
Option 1 ID : 6306801981596  
Option 2 ID : 6306801981593  
Option 3 ID : 6306801981594  
Option 4 ID : 6306801981595  
Status : Answered  
Chosen Option : 2

Q.85 The interaction of rotor currents with rotating flux wave produces \_\_\_\_\_ in the rotor of a 3-phase induction motor and as a consequence, rotor begins to rotate.

- Ans
- 1. impedance
  - 2. current
  - 3. torque
  - 4. inductance

Question ID : 630680506992  
Option 1 ID : 6306801981476  
Option 2 ID : 6306801981474  
Option 3 ID : 6306801981473  
Option 4 ID : 6306801981475  
Status : Answered  
Chosen Option : 3